

A Division of the Angelus Corporation

Ph (262) 246-0500 Fax (262) 246-0450 www.picwire.com

PO Box 330 Sussex, WI 53089

Issued : TVH

Date : 11/15/19

Approved :

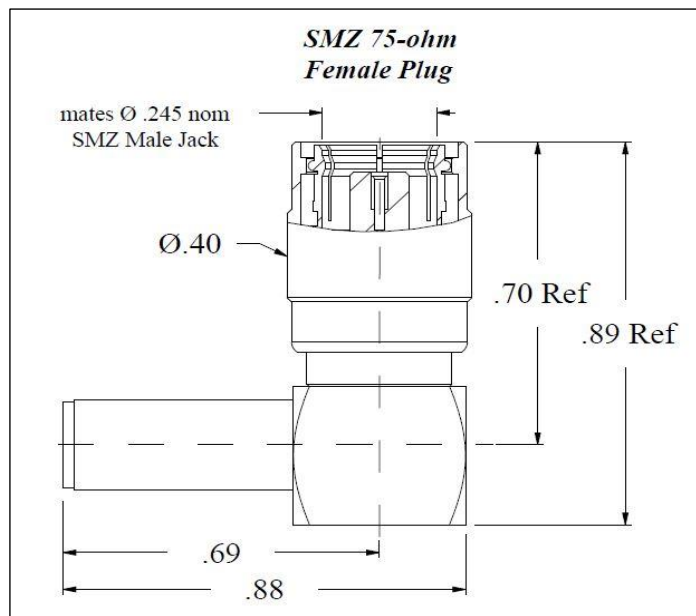
Rev. 0

Distribution : USER

Uncontrolled if Printed

SMZ 75 Ohm 90° Female Plug

(for PIC 75 Ohm Coaxial Cables V76261, V73263, V75268)

**PERFORMANCE**

Nominal Impedance	75 Ohms
Frequency Range	0 - 3 GHz
Voltage Rating	335 V(rms)
Insulation Resistance	1000 Megohms

CONNECTOR WEIGHT (Each)

tbd

RoHS COMPLIANT

Complies to RoHS Standards

INSTALLATION***Crimp Tooling:***

Center Contact Solder Only

Crimp Ferrule M22520 / 5 - 01 Tool,
M22520 / 5-41, B Hex Crimp Die
(.178 hex). PIC P/N 110333**CONSTRUCTION*****Materials:***

Body	Brass
Center Contact	Beryllium Copper
Ferrule	Copper Alloy
Dielectric	TFE Fluorocarbon

Finish :

Body, Ferrule	Nickel
Center Contact	Gold
Outer Contact	Gold

APPLICABLE STANDARDS

SMB 75-ohm

Notes :1) Please refer to T-110865 Termination Instruction
sheet for strip dimensions & instructions.