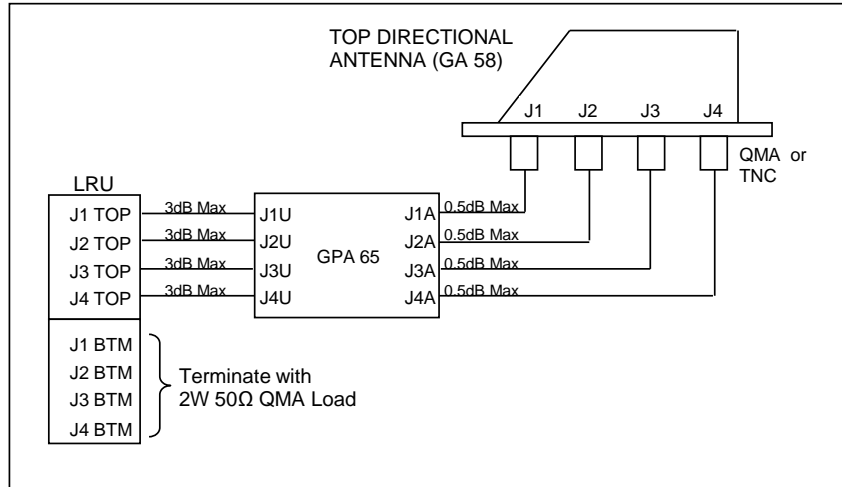


GARMIN GTS 820/850 (NO BTM ANT.) RF CABLE WORKSHEET

Cable (Test) Requirements :

Insertion Loss : 0.5 dB Max @ 1.09 GHz each Ant. to GPA 65 cable.
 3 dB Max @ 1.09 GHz for each GPA 65 to LRU cable.
 VSWR : 1.5:1 max @ 1.09 GHz for each ant. cable.
 Note: Each set of 4 cables to be the exact same length.



UPPER ANT. CABLE INFO:

UPPER ANT. TO GPA 65 CABLE LENGTH : _____

CONN. ANGLE/TYPE : @ UPR ANT : _____ @ GPA 65: _____

GPA 65 TO LRU CABLE LENGTH : _____

CONN. ANGLES: @ GPA 65 : _____ @ LRU : _____

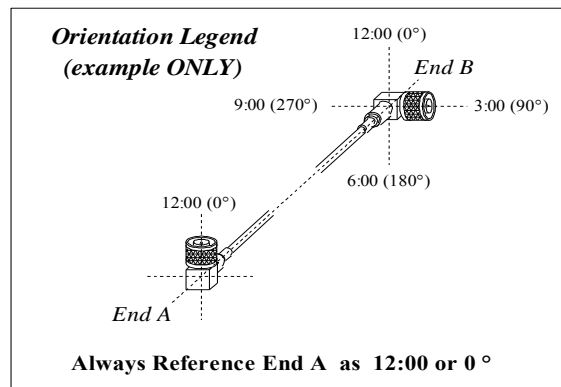
CONN. ORIENTATIONS: LRU to GPA : _____ GPA to ANT : _____
 (See Below)

QTY OF KITS: _____ (8 cables ea)

SPECIAL LABELING: PLEASE SPECIFY.

Connector Orientation

(Assemblies with (2) 90° Connectors)
 Configuration Depicted : End B is **3:00 or 90°** from end A.



CUSTOMER INFORMATION:

CUSTOMER : _____

CONTACT : _____

PH # : _____

DATE : _____

NEED CABLES BY : _____

NEED QUOTE BY : _____