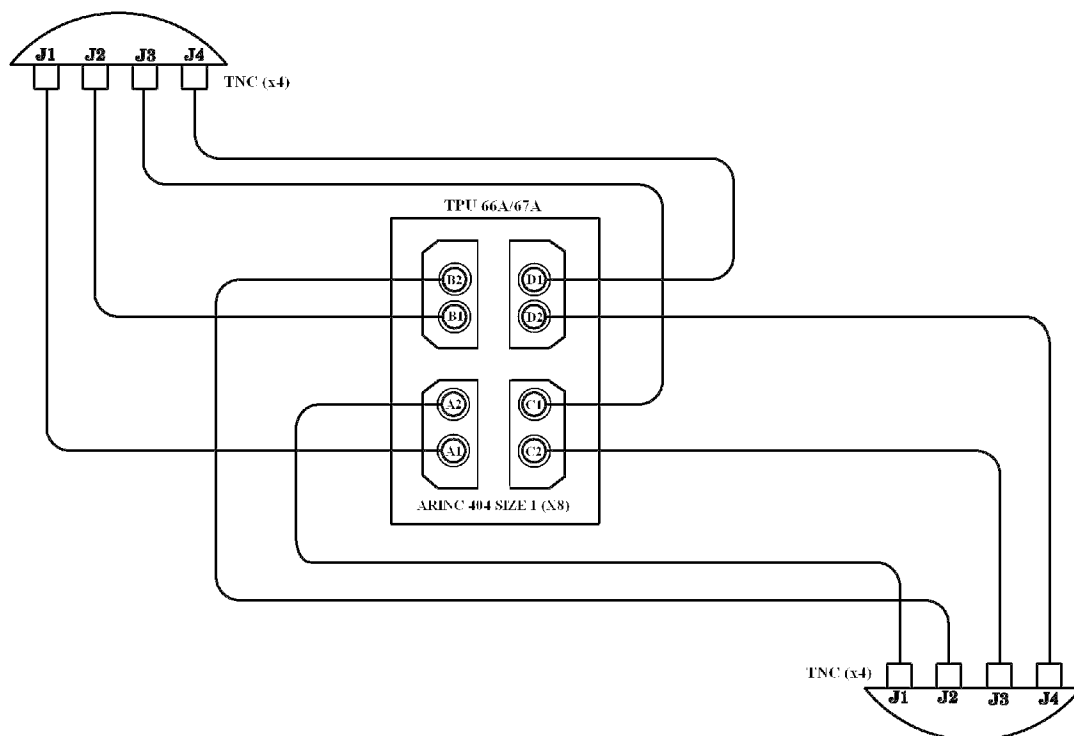


CAS 66/67 TCAS RF CABLE WORKSHEET



Cable (Test) Requirements :

Insertion Loss : 2.0 to 3.0 dB @ 1.03 GHz for each ant. cable.

VSWR : 1.35:1 max @ 1.03 GHz for each ant. cable.

Phase : Each set of 4 ant. cables phase-matched within 135° @ 1.09 GHz.

Time delay : 50 nS max delay difference between upr & lwr ant runs @ 1.09 GHz.

Note : Cannot be strapped for delay difference.

UPPER ANT. INFO:

UPPER ANT. CABLE LENGTH : _____

CONN. ANGLE @ UPR ANT. : _____

CONN. ANGLE (TNC) @ LRU : _____
(If using ARINC 404 Size 1 to TNC (F) adapter P/N 190003)

LOWER ANT. INFO:

LOWER ANT. CABLE LENGTH : _____

CONN. ANGLE @ LWR ANT. : _____

CONN. ANGLE (TNC) @ LRU : _____
(If using ARINC 404 Size 1 to TNC (F) adapter P/N 190003)

LABELING: Standard labeling is P/N, S/N and connection Info.

CUSTOMER INFORMATION:

CUSTOMER : _____

CONTACT : _____

PH # : _____

DATE : _____

NEED CABLES BY : _____

NEED QUOTE BY : _____