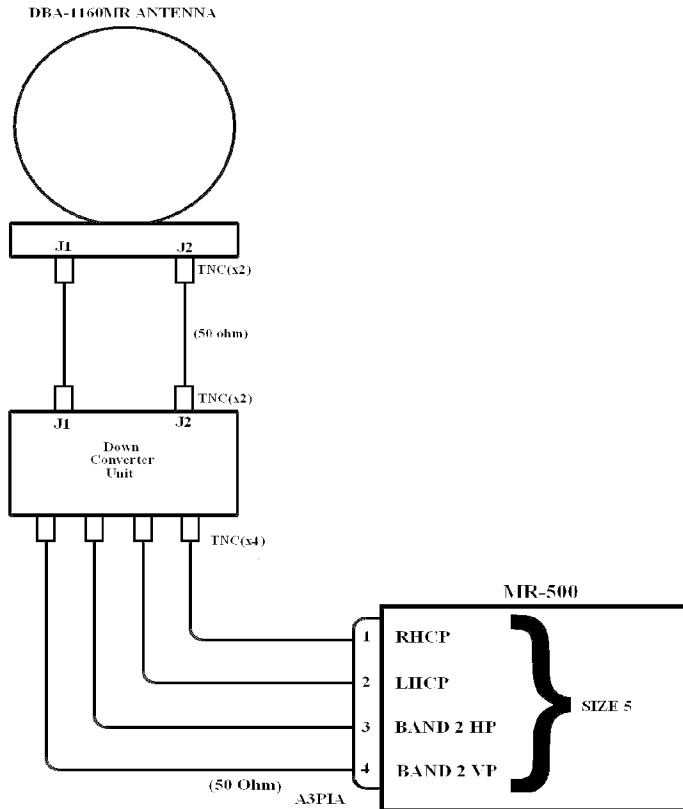


AIS-2000 RF CABLE WORKSHEET



Cable (Test) Requirements :

ANT to DCU : Insertion loss: 8 +/- 2 dB for each cable from 10.7 - 12.75 GHz.
VSWR: 2.1:1 max for each cable

DCU to MR-500 : Insertion loss: 10 +/- 2 dB for each cable from 950 - 2150 MHz.
VSWR: 2.1:1 max for each cable

ANT. to DCU INFO:

ANT. CABLE LENGTH : _____ CONN ORIENTATION: _____

CONN. ANGLE @ ANT. : _____

CONN. ANGLE @ DCU : _____

DCU to MR-500 INFO :

CABLE LENGTH : _____

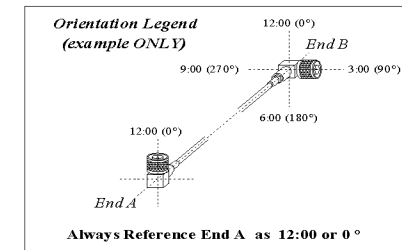
CONN. ANGLE @ DCU : _____

LABELING: Standard labeling is P/N, S/N and connection Info.

Connector Orientation

(Assemblies \leq 20 ft with (2) 90° Connectors)

Configuration Depicted : End B is **3:00 or 90°** from end A.



CUSTOMER INFORMATION:

CUSTOMER : _____

CONTACT : _____

PH # : _____

DATE : _____

NEED CABLES BY : _____

NEED QUOTE BY : _____