
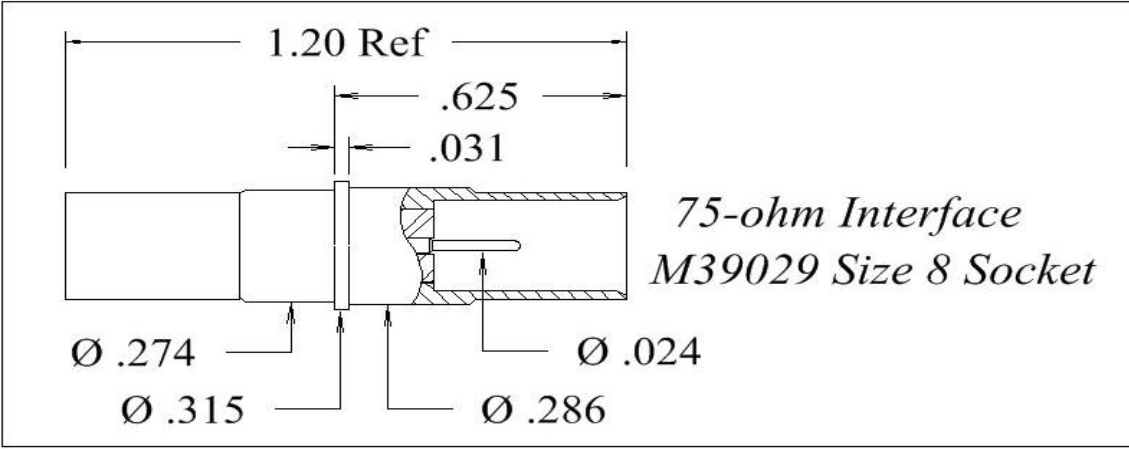


<b>PIC Wire &amp; Cable</b>	<b>Connector Specification</b>	<b>P/N 190941</b>
<i>A Division of the Angelus Corporation</i> Ph (262) 246-0500 Fax (262) 246-0450 www.picwire.com PO Box 330 Sussex, WI 53089	Approved : 	Date : 05/13/10
		Rev. 4 (03/14/17)
	Distribution : USER	Uncontrolled if Printed

**M39029 Size 8 Coaxial Socket Contact - 75 Ohm Interface\***  
*For PIC Coax Cable P/N V78209*



**PERFORMANCE**

Nominal Impedance	75 Ohms
Frequency Range	0 - 3 GHz
Voltage Rating	325 VRMS
Insulation Resistance	5000 Megohms

**CONNECTOR WEIGHT (Each)**

0.15 ounces (4.13 grams)

**RoHS COMPLIANT**

Complies to RoHS Standards

**INSTALLATION**

***Crimp Tooling:***

<i>Center Contact</i>	M22520 / 1 - 01 Tool, Selector Dial @ # 4 Recommended Positioner : PIC # 110657 (Daniels # TP1681)
<i>Crimp Ferrule</i>	M22520 / 5 - 01 Tool, with M22520 / 5 - 45 Hex Crimp Die, cavity A (.231" hex)

**CONSTRUCTION**

***Materials:***

Body	Beryllium Copper, ASTM-B196, Alloy UNS C17300
Center Contact	Beryllium Copper, ASTM-B196, Alloy UNS C17300
Ferrule	Brass, ASTM-B16, Alloy UNS 36000, Dead Soft,
Dielectric	TFE Fluorocarbon, ASTM-D1710, Type 1, Grade 1

***Finish :***

Body, Ferrule	Gold
Center Contact	Gold

**APPLICABLE STANDARDS**

MIL-C-38999, Series I, III & IV

**\*CAUTION : Approved for use ONLY with mating  
 75-Ohm Interface M39029 Size 8 Sockets:  
 PIC # 190740, 190740-01,  
 PIC # 190940, 190940-01**

***Notes :***

- 1) Please refer to T-1909XX Termination Instruction sheet for strip dimensions & instructions.
- 2) Removal Tool P/N M81969/14-12