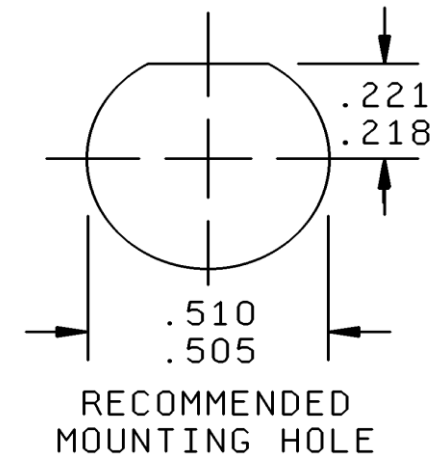
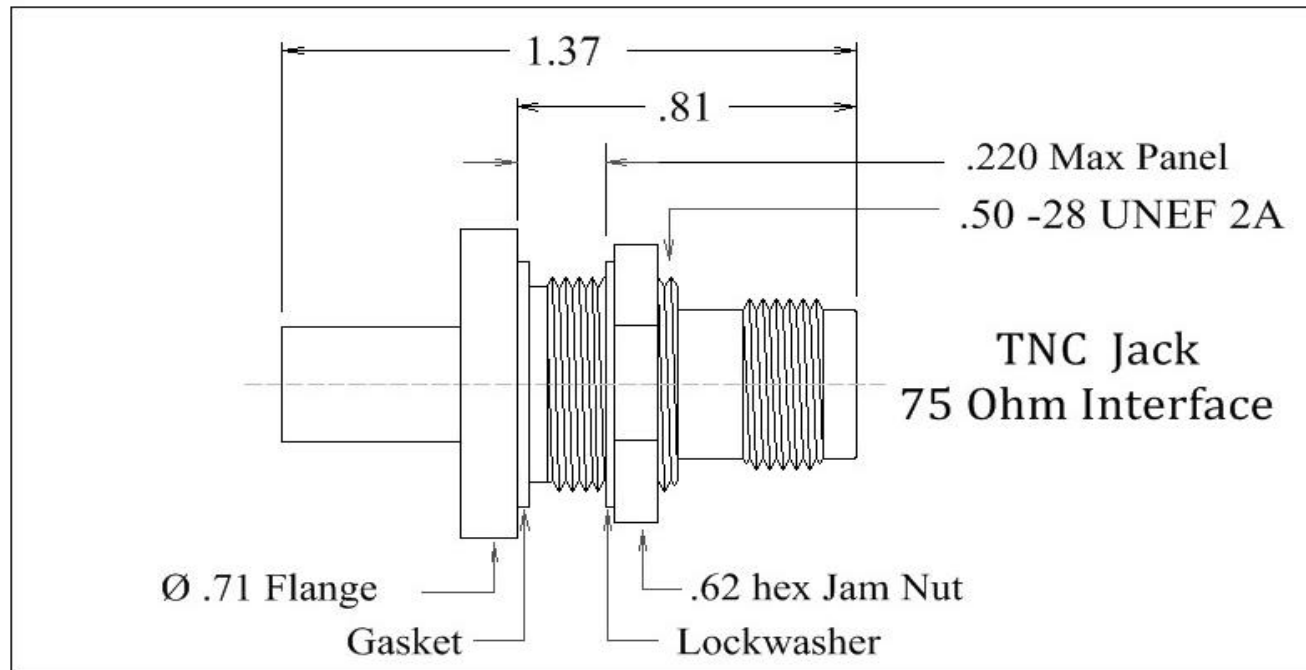


| | | |
|--|--------------------------------|--|
| PIC Wire & Cable <i>A Division of the Angelus Corporation</i> Ph 262-246-0500 Fax 262-246-0450 PO Box 330 Sussex, WI 53089 | Connector Specification | 190921 |
| | Approved <i>MEJ</i> | Date 06/13/11 |
| | Distribution : USER | Rev. 3 (07/16/13) Uncontrolled Document |

TNC Bulkhead Jack
for V78209



PERFORMANCE

| | |
|-----------------------|--------------|
| Nominal Impedance | 75 Ohms |
| Frequency Range | 0 - 3 GHz |
| Voltage Rating | 500 VRMS |
| Insulation Resistance | 5000 Megohms |

CONNECTOR WEIGHT (Each)

.75 ounces (21.32 grams)

RoHS COMPLIANT

Complies to RoHS Standards

INSTALLATION

Recommended Jam Nut Torque - 35 to 40 in. lbs.

Crimp Tooling:

Center Contact M22520 / 1 - 01 Tool,
Selector Dial @ # 5
Recommended Positioner :
PIC # 110656 (Daniels # TH729),
Selector @ Blue

Crimp Ferrule M22520 / 5 - 01 Tool,
Die Set M22520 / 5 - 59 ,
PIC P/N 110697
Cavity A (.255" hex)

CONSTRUCTION

Materials:

| | |
|----------------|---|
| Body | Brass, ASTM-B16 |
| Center Contact | Beryllium Copper, ASTM-B196 |
| Ferrule | Brass, ASTM-B16, Annealed to Dead Soft |
| Dielectric | TFE Fluorocarbon, ASTM-D1457 |
| Lock Washer | Phosphor Bronze, QQ-B-750 |
| Gasket | Silicone Rubber, ZZ-R-765 |

Finish :

| | |
|----------------|--------|
| Body, Ferrule | Nickel |
| Center Contact | Gold |

| | |
|-----------------------------|------------------------------|
| <i>Applicable Standards</i> | MIL-STD 348 MIL-PRF-39012 |
|-----------------------------|------------------------------|

Notes :

1) Please refer to T-1909XX Termination Instruction sheet for strip dimensions & instructions.