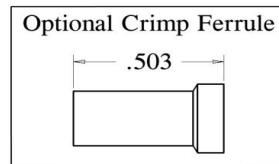
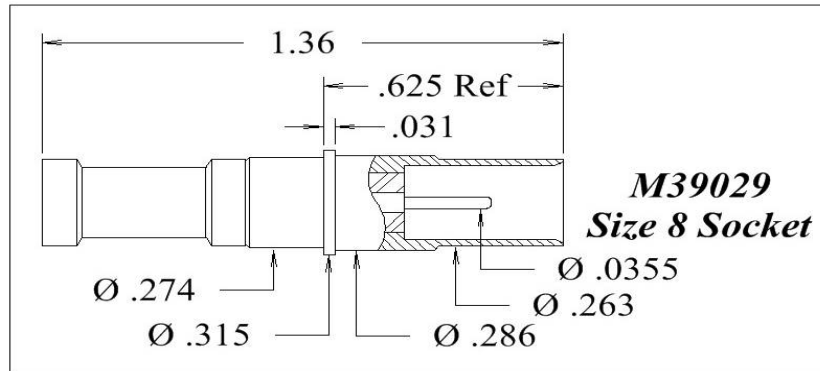


PIC Wire & Cable	Connector Specification	P/N 190839
A Division of the Angelus Corporation Ph (262) 246-0500 Fax (262) 246-0450 www.picwire.com PO Box 330 Sussex, WI 53089	Approved : 	Date : 01/29/07
	Distribution : USER	Rev. 6 (03/14/17)
		Uncontrolled if Printed

M39029 Size 8 Coaxial Socket Contact
for PIC Cables S86208 / S88207 / S83204



PERFORMANCE

Nominal Impedance	50 Ohms
Frequency Range	0 - 6 GHz
VSWR	1.3 : 1 Max
Voltage Rating	325 VRMS
Insulation Resistance	5000 Megohms

CONNECTOR WEIGHT (Each)

0.24 ounces (6.76 grams)

RoHS COMPLIANT

Complies to RoHS Standards

INSTALLATION

Center Contact

M22520 / 2 - 01 Tool,
Selector Dial @ # 8
Recommended Positioner :
PIC # 110407 (Daniels # K1682)

Weatherproofing Crimp Ferrule

M22520 / 5 - 01 Tool,
PIC 190818 Hex Crimp Die
(.186/.222 hex)

Optional Crimp Ferrule

M22520 / 5-01 Tool,
*MIL Spec M22520 / 5-09
(.178 A hex)

* Note - MIL Spec die to be used on smaller diameter area of "optional" crimp ferrule only. Not the larger "Bell" area on end.

CONSTRUCTION

Materials:

Body	Beryllium Copper, ASTM-B196, Alloy UNS C17300
Center Contact	Brass, ASTM-B16, Alloy UNS 36000, H02
Ferrule	Brass, ASTM-B16, Alloy UNS 36000, Dead Soft, Weatherseals included
Dielectric	TFE Fluorocarbon, ASTM-D1710, Type 1, Grade 1

Finish :

Body, Ferrule	Gold
Center Contact	Gold

Applications:

MIL-C-39029/59
for MIL-C-38999 Series I, III, IV

Notes :

1) Please refer to T-1908XX Termination Instruction sheet for strip dimensions & instructions.

2) Removal Tool P/N M81969/14-12