

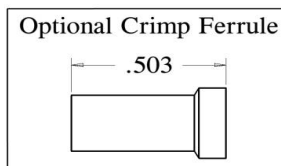
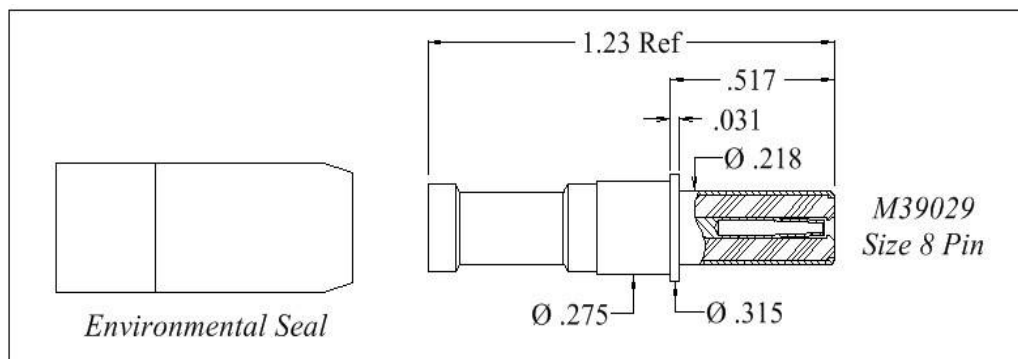
**PIC Wire & Cable****Connector Specification****P/N 190838-01**

A Division of the Angelus Corporation  
 Ph (262) 246-0500 Fax (262) 246-0450 www.picwire.com  
 PO Box 330 Sussex, WI 53089

Approved :   
 Distribution : USER

Date : 06/25/12  
 Rev. 6 (03/14/17)  
 Uncontrolled if Printed

**M39029 Size 8 Coaxial Pin Contact**  
 for PIC Cables S86208 / S88207 / S83204

**PERFORMANCE**

Nominal Impedance	50 Ohms
Frequency Range	0 - 6 GHz
VSWR	1.3 : 1 Max
Voltage Rating	325 VRMS
Insulation Resistance	5000 Megohms

**CONNECTOR WEIGHT (Each)**

0.23 ounces (6.50 grams)

**RoHS COMPLIANT**

Complies to RoHS Standards

**INSTALLATION****Center Contact**

M22520 / 2 - 01 Tool,  
 Selector Dial @ # 8  
 Recommended Positioner :  
 PIC # 110369 (DMC # K1667)

**Weatherproofing Crimp Ferrule**

M22520 / 5 - 01 Tool,  
 PIC 190818 Hex Crimp Die  
 (.186/.222 hex)

**Optional Crimp Ferrule**

M22520 / 5-01 Tool,  
 \*MIL Spec M22520 / 5-09  
 (.178 A hex)

\* Note - MIL Spec die to be used on smaller diameter area of "optional" crimp ferrule only. Not the larger "Bell" area on end.

**CONSTRUCTION****Materials:**

Body	Brass, ASTM-B16, Alloy UNS 36000, H02
Center Contact	Beryllium Copper, ASTM-B196, Alloy UNS C17300
Ferrule	Brass, ASTM-B16, Alloy UNS 36000, Dead Soft, Weatherseals included
Dielectric	TFE Fluorocarbon, ASTM-D1710, Type 1, Grade 1
Environmental Seal	Thermoplastic & Elastomer

**Finish :**

Body, Ferrule	Gold
Center Contact	Gold

**Applications:**

MIL-C-39029/60  
 for MIL-C-38999 Series I, III, IV

**Notes :**

- 1) Please refer to T-1908XX Termination Instruction sheet for strip dimensions & instructions.
- 2) Removal Tool P/N M81969/14-12