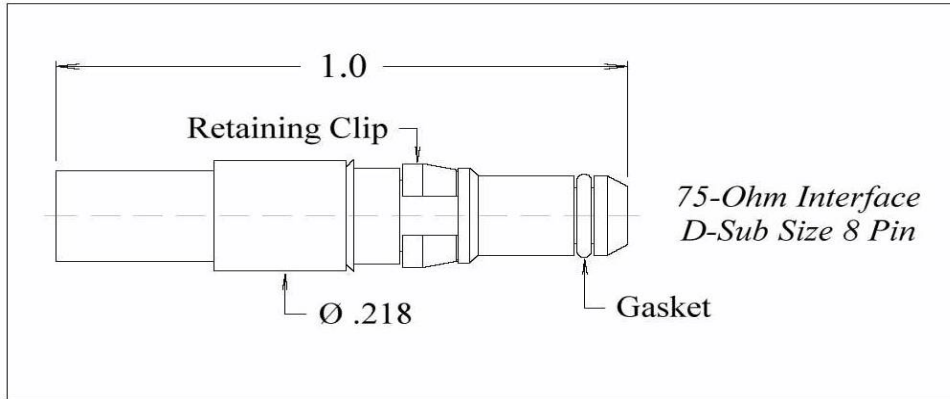


PIC Wire & Cable A Division of the Angelus Corporation Ph 262-246-0500 Fax 262-246-0450 PO Box 330 Sussex, WI 53089	Connector Specification	190763
	Approved <i>TWH</i>	Date 12/12/12 Rev. 2 (07/22/13)
	Distribution : USER	Uncontrolled Document

75-ohm Interface D-Sub Size 8 Pin (Plug)
for V73263 / V75268 / V76261



Caution: For use only with 75 Ohm Interface mating contact P/N 190764.

PERFORMANCE

Nominal Impedance	75 Ohms
Frequency Range	0 - 3 GHz
Voltage Rating	1000 VRMS
Insulation Resistance	2000 Megohms

CONNECTOR WEIGHT (Each)

0.093 ounces (2.65 grams)

RoHS COMPLIANT

Complies to RoHS Standards

INSTALLATION

Crimp Tooling:

<i>Center Contact</i>	M22520 / 2 - 01 Tool : Selector Dial @ # 4 Recommended Positioner : PIC P/N 110753, (Daniels # K1886)
<i>Crimp Ferrule</i>	M22520 / 5 - 01 Tool , Die Set: PIC P/N 110376, (Daniels # Y187) Cavity B (.156" hex)

CONSTRUCTION

Materials:

Body	Brass, ASTM-B16
Center Contact	Beryllium Copper, ASTM-B197
Ferrule	Brass, ASTM-B16, Annealed to Dead Soft
Dielectric	TFE Fluorocarbon, ASTM-D1710
Retaining Clip	Beryllium Copper, ASTM-B196
Gasket	Silicone Rubber, ZZ-R-765

Finish :

Body, Ferrule, Center Contact	Gold
Retaining Clip	Nickel

Notes :

- Please refer to T-1907XX Termination Instruction sheet for strip dimensions & instructions.*
- Recommended Removal Tools :*
Palco P/N T0100-K.
Positronics P/N 4311-0-0-0
ITT P/N CET-C6B

PIC Wire & Cable Connector User specification sheets are non-controlled documents. Please contact PIC Wire and Cable or visit the PIC website (www.picwire.com) to ensure the latest revision of the drawing is being viewed.