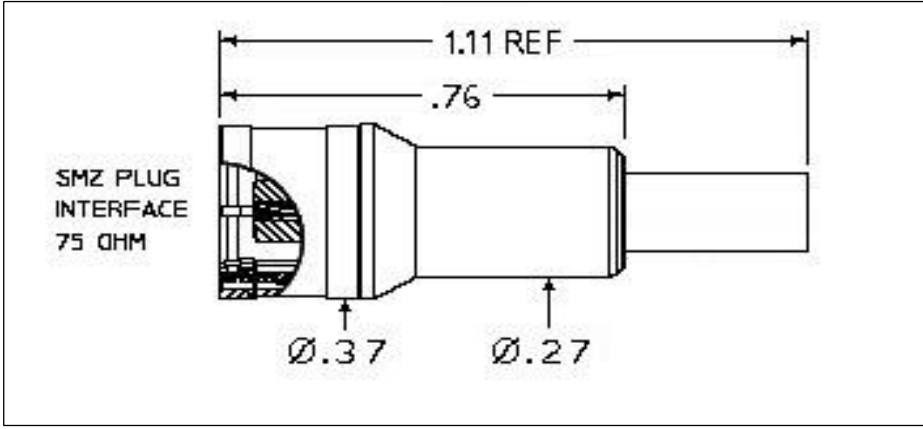


PIC Wire & Cable <i>A Division of the Angelus Corporation</i> Ph 262-246-0500 Fax 262-246-0450 PO Box 330 Sussex, WI 53089	Connector Specification	190748
	Approved <i>MCT</i>	Date 06/04/12
	Distribution : USER	Rev. 1 (05/29/13) Uncontrolled Document

SMZ 75 Ohm Straight Plug
for V75268, V76261, V73263



PERFORMANCE

Nominal Impedance	75 Ohms
Frequency Range	0 - 2 GHz
Voltage Rating	250 VRMS
Insulation Resistance	1000 Megohms

CONNECTOR WEIGHT (Each)

tbd

RoHS COMPLIANT

Complies to RoHS Standards

INSTALLATION

Crimp Tooling:

Center Contact M22520 / 2 - 01 Tool,
Selector Dial @ 3
Reccommended Positioner :
PIC 110547 (DMC K1760)

Crimp Ferrule M22520 / 5 - 01 Tool,
Daniels # Y187 Hex Crimp Die
(.156" hex) PIC P/N 110376

CONSTRUCTION

Materials:

Body	Brass, ASTM-B16
Outer Contact	Beryllium Copper, ASTM-B196
Center Contact	Beryllium Copper, ASTM-B196
Ferrule	Brass, ASTM-B16, Dead Soft
Dielectric	TFE Fluorocarbon, ASTM-D1710

Finish :

Body, Ferrule	Nickel
Center Contact	Gold

Applicable Standards SMZ 75 Ohm Interface

Notes :

1) Please refer to T-1907XX Termination Instruction sheet for strip dimensions & instructions.