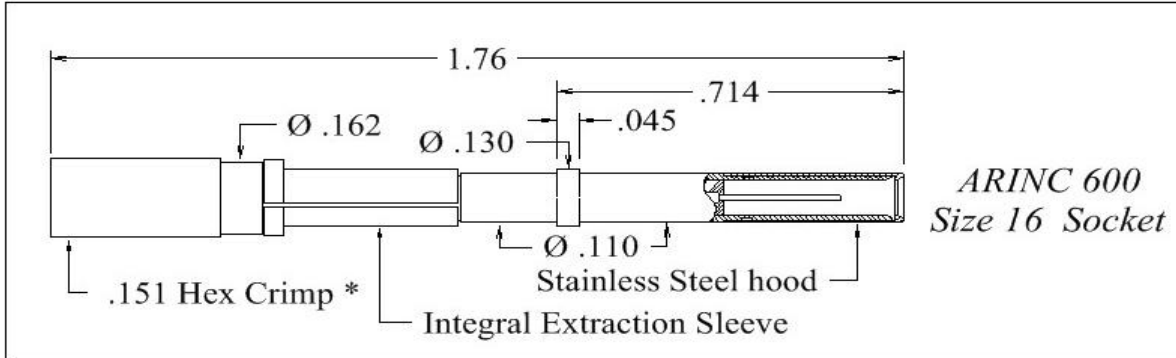


PIC Wire & Cable <i>A Division of the Angelus Corporation</i> Ph 262-246-0500 Fax 262-246-0450 PO Box 330 Sussex, WI 53089	Connector Specification	190730
	Approved <i>MCT</i>	Date 10/03/01
	Distribution : USER	Rev. 7 (05/29/13) Uncontrolled Document

ARINC Coaxial Size 16 Socket
for V73263, V75268, V76261 Coax,
or L7626TX Triax (inner coax)



PERFORMANCE

Nominal Impedance	Non-Constant
Frequency Range	400 MHz
Voltage Rating	350 VRMS
Insulation Resistance	5000 Megohms

CONNECTOR WEIGHT (Each)

.24 ounces (6.80 grams)

RoHS COMPLIANT

Complies to RoHS Standards

INSTALLATION

Crimp Tooling:

<i>Center Contact</i>	M22520 / 2 - 01 Tool, Dial Setting # 5 Recommended Positioner : PIC # 110300 (Daniels # K1598)
<i>Crimp Ferrule</i>	M22520 / 5 - 01 Tool, M22520 / 5 - 37 Hex Die Set, Cav. B PIC # 110283 (.151" hex) Daniels # Y138

* .151 Hex Crimp (across flats) = .174 Max across hex points

CONSTRUCTION

Materials:

Body	Beryllium Copper, ASTM-B196, Alloy UNS C17300 w/ Stainless Steel Hood
Center Contact	Beryllium Copper, ASTM-B196, Alloy UNS C17300
Ferrule	Brass, ASTM-B16, Alloy UNS 36000, Dead Soft
Dielectric	TFE Fluorocarbon, ASTM-D1710, Type 1, Grade 1

Finish :

Body, Ferrule	Gold
Center Contact	Gold

Notes :

1) Please refer to T-1907XX Termination Instruction sheet for strip dimensions & instructions.