
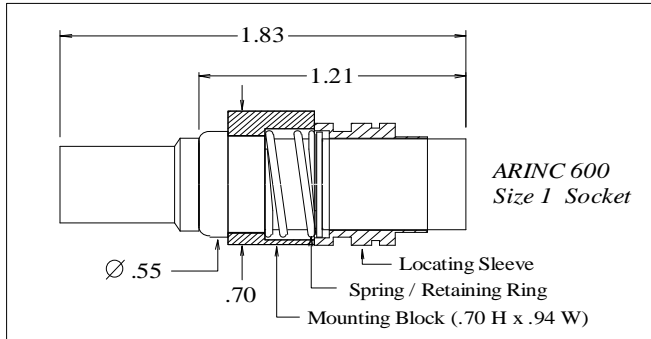
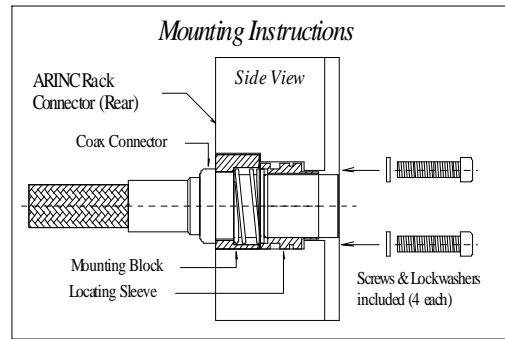


<b>PIC Wire &amp; Cable</b>	<b>Connector Specification</b>	<b>P/N 190601</b>
<i>A Division of the Angelus Corporation</i> Ph (262) 246-0500 Fax (262) 246-0450 www.picwire.com PO Box 330 Sussex, WI 53089	Approved : 	Date 02/01/01
	Distribution : USER	Rev. 3 (06/18/14)
		Uncontrolled Document

**ARINC 600 Size 1 Socket**  
for S55122



*Features Not Shown : Mounting Screws (4 ea), Lockwashers (4 ea)*



**PERFORMANCE**

Nominal Impedance	50 Ohms
Frequency Range	0 - 5 GHz
Voltage Rating	1000 VRMS
Insulation Resistance	5000 Megohms

**CONNECTOR WEIGHT (Each)**

1.32 ounces (39.01 grams)

**RoHS COMPLIANT**

Complies to RoHS Standards

**INSTALLATION**

<b>Pic Die Set</b>	<b>MIL Spec Die Set</b>
<i>Center Contact</i>	<i>Center Contact</i>
M22520 / 5 - 01 Tool, *PIC 190618 Hex Crimp Die (.098 hex)	M22520 / 5-01 Tool, MIL Spec *M22520 / 5-57 (.100 B hex)
<i>Crimp Ferrule</i>	<i>Crimp Ferrule</i>
M22520 / 5 - 01 Tool, *PIC 190618 Hex Crimp Die (.359/.432 hex)	M22520 / 5-01 Tool, MIL Spec *M22520 / 5-47 (.359 A hex)

\* Note - MIL Spec die to be used on the smaller diameter area of ferrule only. Not the larger "Bell" area on end.

**CONSTRUCTION**

**Materials:**

Body	Brass, ASTM-B16, Alloy UNS 36000, H02
Center Contact	Beryllium Copper, ASTM-B196, Alloy UNS C17300
Ferrule	Brass, ASTM-B16, Alloy UNS 36000, Dead Soft, Weatherseals included
Dielectric	TFE Fluorocarbon, ASTM-D1710, Type 1, Grade 1
Spring, Retaining Ring	Stainless Steel
Mounting Block	Aluminum, Alloy 6061 T6

**Finish :**

Body, Ferrule	Gold
Center Contact	Gold
Spring, Retaining Ring	Passivated
Mounting Block	Iridite

**Applicable Standards** ARINC 600

**Notes :**

- 1) A 1.5" piece of Raychem ATUM heat shrink P/N ATUM-16/4-0 provided with connector for purpose of strain relief & moisture protection.
- 2) Please refer to T-190XXX Termination Instruction sheet for strip dimensions & instructions.

*PIC Wire & Cable Connector User specification sheets are non-controlled documents. Please contact PIC Wire and Cable or visit the PIC website (www.picwire.com) to ensure the latest revision of the drawing is being viewed.*