
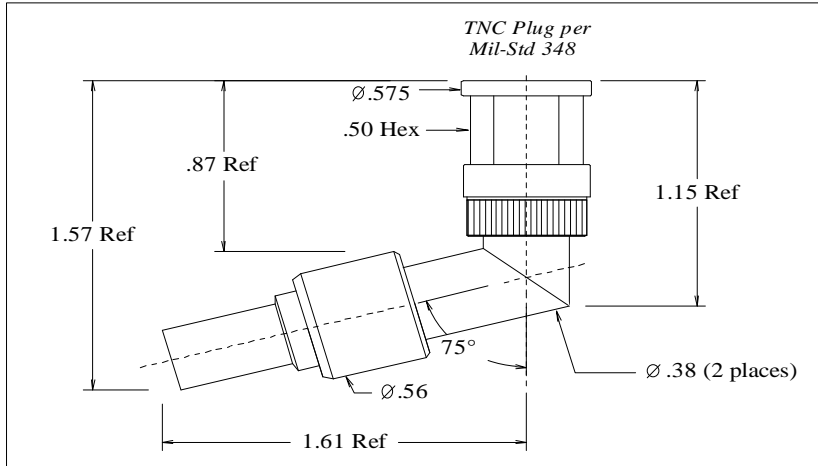


<b>PIC Wire &amp; Cable</b>	<b>Connector Specification</b>	<b>P/N 190531A</b>
A Division of the Angelus Corporation Ph (262) 246-0500 Fax (262) 246-0450 www.picwire.com PO Box 330 Sussex, WI 53089	Approved : 	Date : 10/31/03
	Distribution : USER	Rev. 4 (04/05/16)
		Uncontrolled if Printed

**TNC 75° Plug**  
for S65161, S65161-A



*Features Not Shown: Safety Wire Holes, Seal in front*

**PERFORMANCE**

Nominal Impedance	50 Ohms
Frequency Range	0 - 12 GHz
Voltage Rating	500 VRMS
Insulation Resistance	5000 Megohms

**CONNECTOR WEIGHT (Each)**

1.36 ounces (40.14 grams)

**RoHS COMPLIANT**

Complies to RoHS Standards

**INSTALLATION**

**Pic Die Set**

*Center Contact*  
M22520 / 5 - 01 Tool,  
PIC 190518A Hex Crimp Die  
(.098 hex)

**Crimp Ferrule**

M22520 / 5 - 01 Tool,  
\*PIC 190518A Hex Crimp Die  
(.270/.340 hex)

**MIL Spec Die Set**

*Center Contact*  
M22520 / 5-01 Tool,  
MIL Spec \*M22520 / 5-57  
(.100 B hex)

**Crimp Ferrule**

M22520 / 5-01 Tool,  
MIL Spec \*M22520 / 5-43  
(.268 A hex)

**CONSTRUCTION**

**Materials:**

Body	Brass, ASTM-B16, Alloy UNS 36000, H02
Center Contact	Beryllium Copper, ASTM-B196, Alloy UNS C17300
Ferrule	Brass, ASTM-B16, Alloy UNS 36000, Dead Soft, Weatherseals included
Dielectric	TFE Fluorocarbon, ASTM-D1710, Type 1, Grade 1

**Finish :**

Body, Ferrule	Nickel
Center Contact	Gold

**Applicable Standards**

MIL-STD 348  
MIL-PRF-39012

**Notes :**

- 1) A 2.5" piece of Raychem ATUM heat shrink P/N ATUM-16/4-0 provided with connector for purpose of strain relief & moisture protection.
- 2) Please refer to T-1905XXA Termination Instruction sheet for strip dimensions & instructions.

\* Note - MIL Spec die to be used on the smaller diameter area of ferrule only. Not the larger "Bell" area on end.