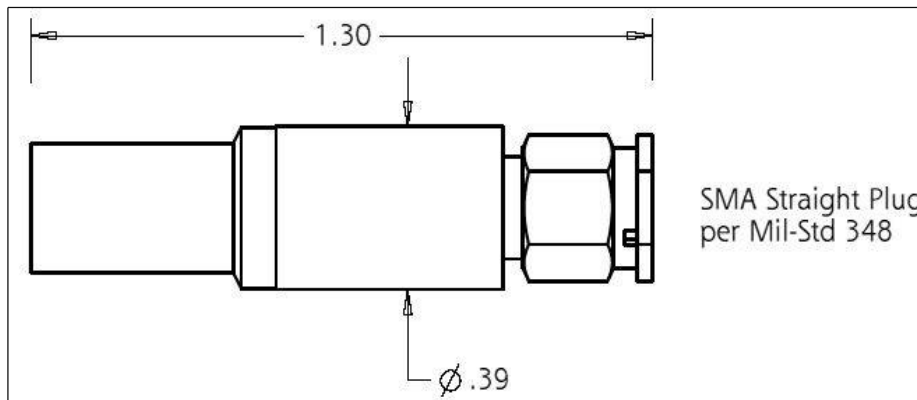


<b>PIC Wire &amp; Cable</b>	<b>Connector Specification</b>	<b>P/N 190514</b>
A Division of the Angelus Corporation Ph (262) 246-0500 Fax (262) 246-0450 www.picwire.com PO Box 330 Sussex, WI 53089	Approved : <i>MCT</i>	Date 07/06/12
	Distribution : USER	Rev. 2 (06/18/14)
		Uncontrolled Document

**SMA Straight Plug**  
for S67163



*Features Not Shown : Safety Wire Holes, Gasket in Front*

**PERFORMANCE**

Nominal Impedance	50 Ohms
Frequency Range	0 - 12 GHz
Voltage Rating	335 VRMS
Insulation Resistance	5000 Megohms

**CONNECTOR WEIGHT (Each)**

.55 ounces (15.65 grams)

**RoHS COMPLIANT**

Complies to RoHS Standards

**INSTALLATION**

<b>Pic Die Set</b>	<b>MIL Spec Die Set</b>
<i>Center Contact</i>	<i>Center Contact</i>
M22520 / 5 - 01 Tool,	M22520 / 5-01 Tool,
*PIC 190518A Hex Crimp Die	MIL Spec *M22520 / 5-57
(.098 hex)	(.100 B hex)
<b>Crimp Ferrule</b>	<b>Crimp Ferrule</b>
M22520 / 5 - 01 Tool,	M22520 / 5-01 Tool,
*PIC 190518A Hex Crimp Die	MIL Spec *M22520 / 5-43
(.270/.340 hex)	(.268 A hex)

**CONSTRUCTION**

<b>Materials:</b>	
Body	Stainless Steel, ASTM-A582, Alloy UNS S30300
Center Contact	Beryllium Copper, ASTM-B196, Alloy UNS C17300
Ferrule	Brass, ASTM-B16, Alloy UNS 36000, Dead Soft, Weatherseals included
Dielectric	TFE Fluorocarbon, ASTM-D1710, Type 1, Grade 1

**Finish :**

Body	Passivated
Ferrule	TRI-M3 or Nickel
Center Contact	Gold

**Applicable Standards**

MIL-STD 348  
MIL-PRF-39012

**Notes :**

- 1) A 2.5" piece of Raychem ATUM heat shrink P/N ATUM-16/4-0 provided with connector for purpose of strain relief & moisture protection.
- 2) Please refer to T-190XXX Termination Instruction sheet for strip dimensions & instructions.

\* Notes: 1. PIC 190518 Crimp Die Set superceded by PIC 190518A; either is acceptable for use with 190514 Connectors.  
2. MIL Spec die to be used on the smaller diameter area of ferrule only. Not the larger "Bell" area on end.