
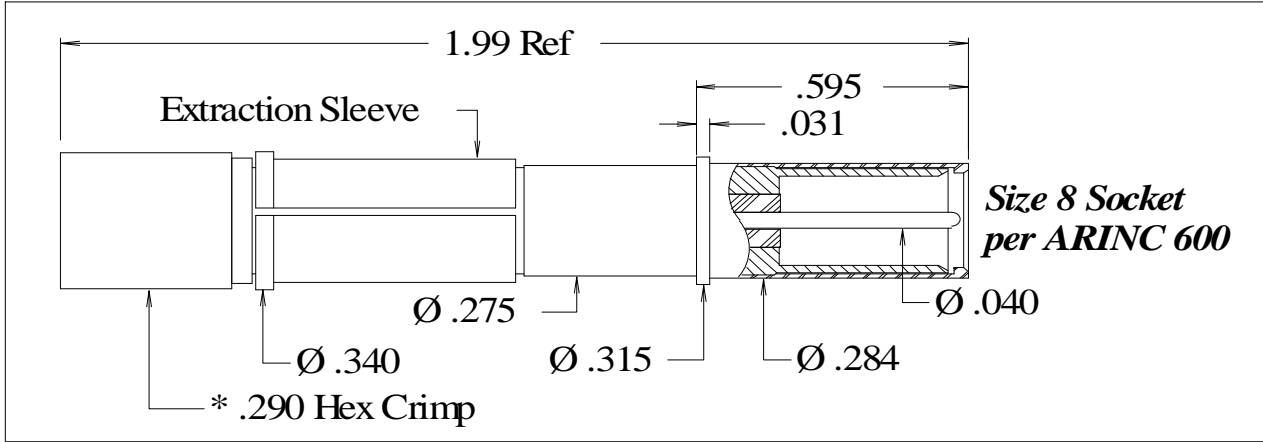


PIC Wire & Cable	Connector Specification	P/N 190329
A Division of the Angelus Corporation Ph (262) 246-0500 Fax (262) 246-0450 www.picwire.com PO Box 330 Sussex, WI 53089	Approved : 	Date 02/08/06 Rev. 7 (06/27/14)
	Distribution : USER	Uncontrolled Document

ARINC Size 8 Coaxial Socket Contact
for S33141



* 0.290" Hex Crimp across flats after crimping (0.335" Max across hex points)

PERFORMANCE

Nominal Impedance	50 Ohms
Frequency Range	0 - 6 GHz
Voltage Rating	325 VRMS
Insulation Resistance	5000 Megohms

CONNECTOR WEIGHT (Each)

.45 ounces (12.70 grams)

RoHS COMPLIANT

Complies to RoHS Standards

INSTALLATION

Crimp Tooling:

Center Contact	M22520 / 1 - 01 Tool, Selector Dial @ # 6 Positioner PIC P/N 110778 (DMC # TH735) Positioner selector at Blue
Crimp Ferrule	M22520 / 5 - 01 Tool, M22520 / 5 - 41 Die Set, Cavity A (.290 hex)

CONSTRUCTION

Materials:

Body	Brass, ASTM-B16, Alloy UNS 36000, H02
Outer Hood	Stainless Steel, ASTM-A582, Alloy UNS S30300
Center Contact	Brass, ASTM-B16, Alloy UNS 36000, H02
Ferrule	Brass, ASTM-B16, Alloy UNS 36000, Dead Soft,
Dielectric	TFE Fluorocarbon, ASTM-D1710, Type 1, Grade 1
Extraction Sleeve	Nylon, MIL-P-410A, Type 3 Bromide-Free

Finish :

Body, Ferrule	Gold
Center Contact	Gold
Outer Hood	Passivated Stainless

Applicable Standards

ARINC 600

Notes :

- 1) A 1.5" piece of Raychem ATUM heat shrink P/N ATUM-12/3-0 provided with connector for purpose of strain relief & moisture protection.
- 2) Please refer to T-190329 Termination Instruction sheet for strip dimensions & instructions.