

PIC Wire & Cable**Connector Specification****P/N 190061**

A Division of the Angelus Corporation

Ph (262) 246-0500 Fax (262) 246-0450 www.picwire.com

PO Box 330 Sussex, WI 53089

Approved :

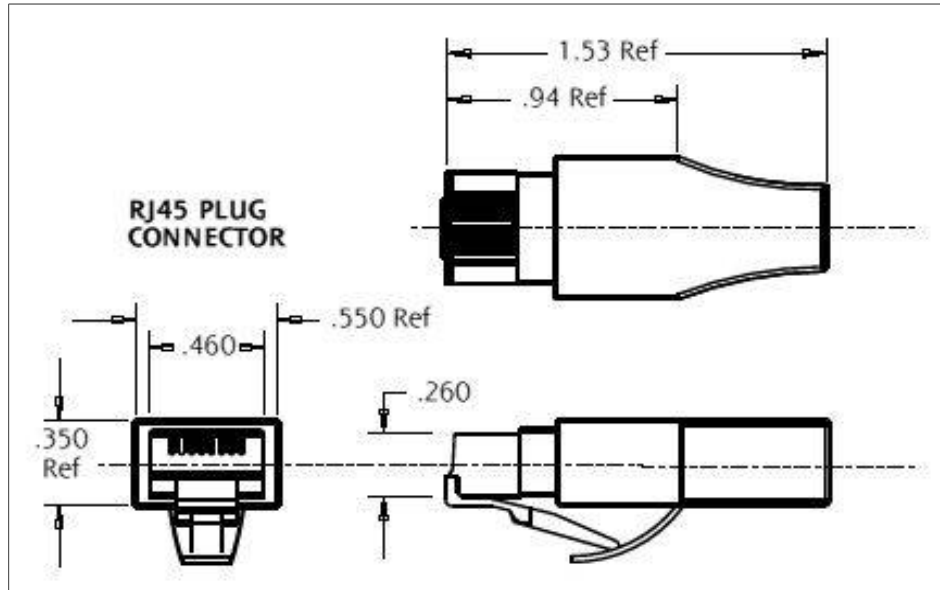
MCS

Date : 08/16/12

Rev. 3 : (05/13/15)

Distribution : User

Uncontrolled if Printed

RJ45 Ethernet Plug Connector w/Protective Boot*(Connector has 4 cable conductor wire holes of 0.060")**(Contacts @ Positions 1, 2, 3, and 6 only)***PERFORMANCE**

Exceeds ANSI/TIA/EIA Cat 6

Current / Voltage: 1.5 Amps @ 30 VAC / 42 VDC

Contact Resistance: 10 milliOhms Max

ENVIRONMENTAL

Temperature Rating -40° C to +85° C

Insertion / Extraction 1000 cycles

CONNECTOR WEIGHT

.18 ounces (4.99 grams)

RoHS COMPLIANT

Complies to RoHS Standards

REQUIRED TOOLING

Crimp Tool P/N 110340

(Alternate) P/N 110274

CONSTRUCTION**Materials:**

Plug Housing	Polycarbonate, Blue Tint, 94-V0
Contacts	Phosphor Bronze, .012" thk
Rear Shield	Copper Alloy
Inner Ferrule	Copper Alloy
Strain Relief Boot	Thermoplastic Rubber, 94-V0

Finish :

Contacts	Gold
Rear Shield	Tinned
Inner Ferrule	Tinned

APPLICABLE STANDARDS

ANSI/TIA-1096-A

ANSI/TIA/EIA 568-C.2

Notes :

1) Please refer to T-190061(-x) Termination Instruction sheet for strip dimensions & instructions.