
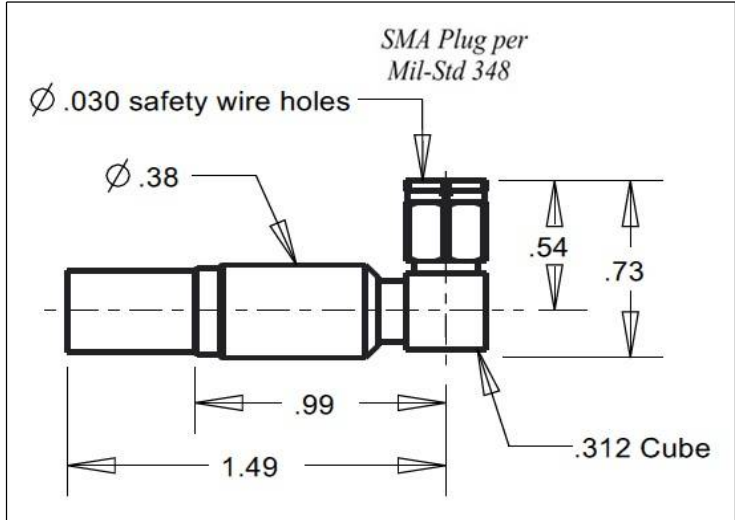


<b>PIC Wire &amp; Cable</b>	<b>Connector Specification</b>	<b>P/N 150515</b>
A Division of the Angelus Corporation Ph (262) 246-0500 Fax (262) 246-0450 www.picwire.com PO Box 330 Sussex, WI 53089	Approved : 	Date : 07/06/16
	Distribution : USER	Rev. 2 (02/09/17)
		Uncontrolled if Printed

**SMA (50 Ohm) 90° Plug**  
for UH67163



Features Not Shown : Safety Wire Holes, Gasket in Front

**PERFORMANCE**

Nominal Impedance	50 Ohms
Frequency Range	0 - 12 GHz
Voltage Rating	335 V (rms)
Insulation Resistance	5000 Megohms
Insertion Loss :	0.15 $\overline{F(\text{GHz})}$

**CONNECTOR WEIGHT (Each)**

0.65 ounces (18.48 grams)

**RoHS COMPLIANT**

Complies to RoHS Standards

**INSTALLATION**

**Center Contact**

Solder Only

**Crimp Ferrule**

M22520 / 5-01 Tool  
M22520 / 5-41 Die Set  
(.290" A hex)

**CONSTRUCTION**

**Materials:**

Body	Stainless Steel, ASTM-A582, Alloy UNS S30300
Connector Contact	Beryllium Copper, ASTM-B196, Alloy UNS C17300
Cable Contact	Brass, ASTM-B16, Alloy UNS 36000, Dead Soft,
Ferrule	Brass, ASTM-B16, Alloy UNS 36000, Dead Soft,
Dielectric	TFE Fluorocarbon, ASTM-D1710, Type I, Grade 1

**Finish :**

Body	Passivated
Ferrule	Nickel
Center Contact	Gold

**APPLICABLE STANDARDS**

MIL-STD 348, MIL-PRF-39012

**Notes :**

- 1) A 1.5" piece of Raychem ATUM heat shrink P/N ATUM-12/3-0 provided with connector for purpose of strain relief & moisture protection.
- 2) Please refer to T-1505XX Termination Instruction sheet for strip dimensions & instructions.