
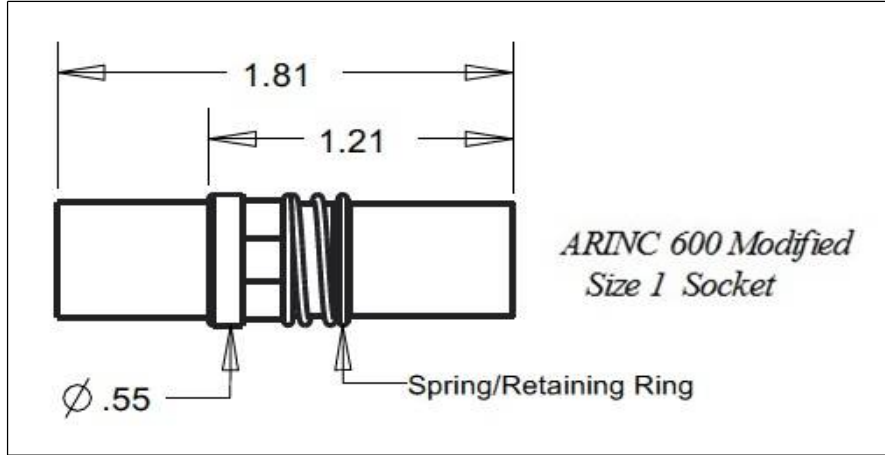


PIC Wire & Cable	Connector Specification	P/N 150402
<i>A Division of the Angelus Corporation</i> Ph (262) 246-0500 Fax (262) 246-0450 www.picwire.com PO Box 330 Sussex, WI 53089	Approved : 	Date : 07/07/16
	Distribution : USER	Rev. 0
		Uncontrolled if Printed

ARINC 600 Modified Size 1 Socket
for UH22089



PERFORMANCE

Nominal Impedance :	50 Ohms
Frequency Range :	0 - 5 GHz
Voltage Rating :	1000 V(rms)
Insulation Resistance :	5000 Megohms min.

CONNECTOR WEIGHT (Each)

TBD

RoHS COMPLIANT

Complies to RoHS Standards

INSTALLATION

Center Contact

Solder Only

Crimp Ferrule

M22520 / 5-01 Tool
M22520 / 5-25 Die Set
(.429" A hex)

CONSTRUCTION

Materials:

Body	Brass, ASTM-B16, Alloy UNS 36000, H02
Center Contact	Beryllium Copper, ASTM-B196, Alloy UNS C17300
Ferrule	Brass, ASTM-B16, Alloy UNS 36000, Dead Soft, Weatherseals included
Dielectric	TFE Fluorocarbon, ASTM-D1710, Type 1, Grade 1
Spring, Retaining Ring	Stainless Steel

Finish :

Body, Ferrule	Gold
Center Contact	Gold
Spring, Retaining Ring	Passivated

APPLICABLE STANDARDS

ARINC 600

Notes :

- 1) A 2.0" piece of Raychem ATUM heat shrink P/N ATUM-16/4-0 provided with connector for purpose of strain relief & moisture protection.
- 2) Please refer to T-1504XX Termination Instruction sheet for strip dimensions & instructions.