

PIC Wire & Cable**Connector Specification****P/N 150128***A Division of the Angelus Corporation*

Ph (262) 246-0500 Fax (262) 246-0450 www.picwire.com

PO Box 330 Sussex, WI 53089

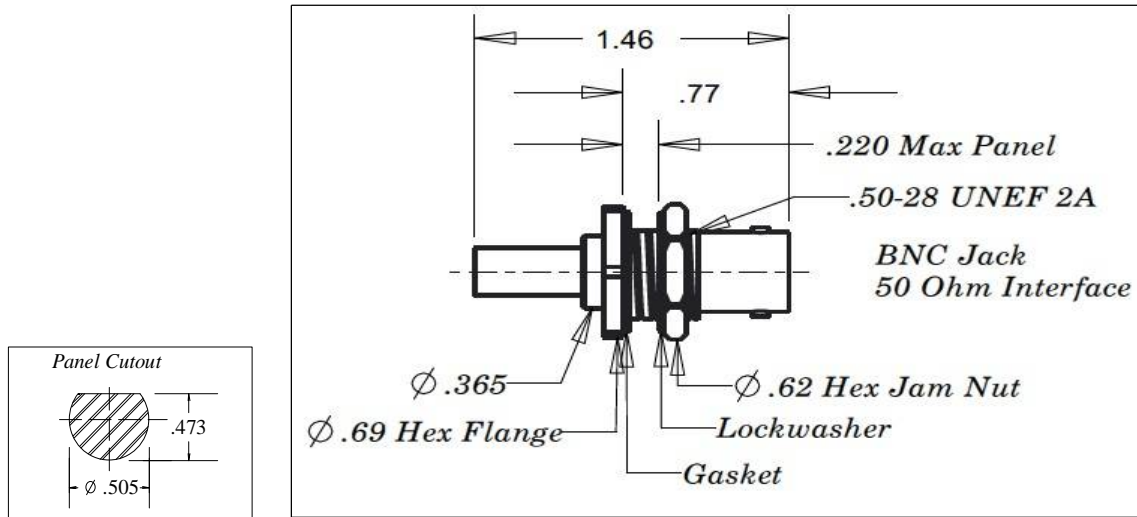
Approved :

Date : 06/28/16

Rev. 0

Distribution : USER

Uncontrolled if Printed

BNC Bulkhead Jack*for UH44193**Recommended Jam Nut Torque - 35 to 40 in. lbs.***PERFORMANCE**

Nominal Impedance :	50 Ohms
Frequency Range :	0 - 12 GHz
Voltage Rating :	500 V(rms)
Insulation Resistance :	5000 Megohms min.

CONNECTOR WEIGHT (Each)**TBD****RoHS COMPLIANT**

Complies to RoHS Standards

INSTALLATION**Center Contact**

M22520 / 1-01 Tool

Selector Dial Setting #8

Positioner : M22520 / 1-09

Crimp Ferrule

M22520 / 5-01 Tool

M22520 / 5-11 Die Set

(.213" A hex)

CONSTRUCTION**Materials:**

Body	Brass, ASTM-B16, Alloy UNS 36000, H02
Center Contact	Brass, ASTM-B16, Alloy UNS 36000, H02
Ferrule	Brass, ASTM-B16, Alloy UNS 36000, Dead Soft,
Dielectric	TFE Fluorocarbon, ASTM-D1710, Type 1, Grade 1

Finish :

Body, Ferrule	Nickel
Center Contact	Gold

APPLICABLE STANDARDS

MIL-STD 348, MIL-PRF-39012

Notes :

1) A 1.5" piece of Raychem ATUM heat shrink P/N ATUM-12/3-0 provided with connector for purpose of strain relief & moisture protection.

2) Please refer to T-1501XX Termination Instruction sheet for strip dimensions & instructions.