

A Division of the Angelus Corporation

Ph (262) 246-0500 Fax (262) 246-0450 www.picwire.com

PO Box 330 Sussex, WI 53089

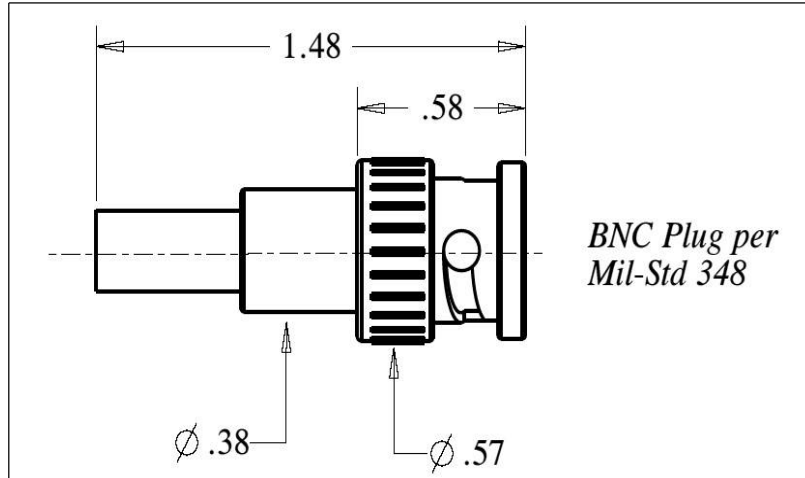
Approved :

Date : 03/02/15

Rev. 0

Distribution : USER

Uncontrolled if Printed

BNC 50 Ohm Straight Plug
for UH44193

Features Not Shown : Gasket in Front

PERFORMANCE

Nominal Impedance :	50 Ohms
Frequency Range :	0 - 12 GHz
Voltage Rating :	500 V(rms)
Insulation Resistance :	5000 Megohms min.

CONNECTOR WEIGHT (Each)

.74 ounces (21.09 grams)

RoHS COMPLIANT

Complies to RoHS Standards

INSTALLATION**Center Contact**

M22520 / 1-01 Tool
 Selector Dial Setting #8
 Positioner : M22520 / 1-09

Crimp Ferrule

M22520 / 5-01 Tool
 M22520 / 5-11 Die Set
 (.213" A hex)

CONSTRUCTION**Materials:**

Body	Brass, ASTM-B16, Alloy UNS 36000, H02
Center Contact	Brass, ASTM-B16, Alloy UNS 36000, H02
Ferrule	Brass, ASTM-B16, Alloy UNS 36000, Dead Soft,
Dielectric	TFE Fluorocarbon, ASTM-D1710, Type 1, Grade 1

Finish :

Body, Ferrule	Nickel
Center Contact	Gold

APPLICABLE STANDARDS

MIL-STD 348
 MIL-PRF-39012

Notes :

- 1) A 1.5" piece of Raychem ATUM heat shrink P/N ATUM-12/3-0 provided with connector for purpose of strain relief & moisture protection.
- 2) Please refer to T-1501XX Termination Instruction sheet for strip dimensions & instructions.