
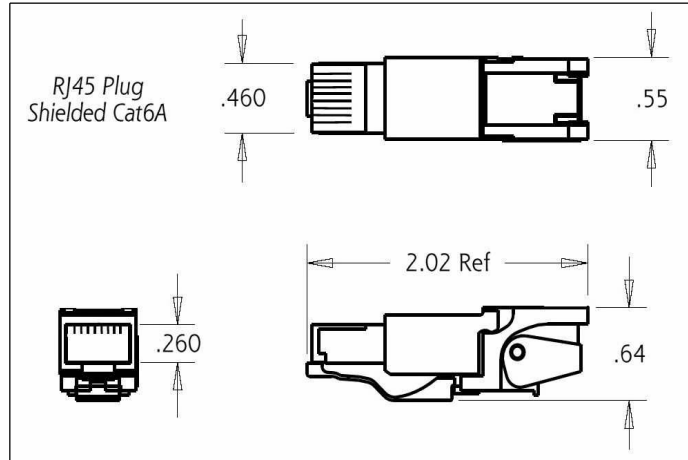


PIC Wire & Cable	Connector Specification	P/N 110649
<i>A Division of the Angelus Corporation</i> Ph (262) 246-0500 Fax (262) 246-0450 www.picwire.com PO Box 330 Sussex, WI 53089	Approved : 	Date : 09/25/13
	Distribution : User	Rev. 2 (08/17/15)
		Uncontrolled if Printed

RJ45 Plug Connector (Shielded Cat 6a)

For 22/24 AWG conductors with an insulation OD range of 0.039" - 0.063"

(For ANSI/TIA/EIA 568B Pin-Out Termination Only)



Not Shown ; dust cap for RJ45 (removed upon installation)

PERFORMANCE

Exceeds ANSI/TIA/EIA Cat 6a

Current/Voltage: 1.0 Amps @ 30 VAC / 42 VDC

Contact Resistance: 20 milliOhms Max

ENVIRONMENTAL

Temperature Rating -40° C to +70° C

Insertion / Extraction 750 cycles Min

CONNECTOR WEIGHT (Each)

0.82 ounces (23.36 grams)

RoHS COMPLIANT

Complies to RoHS Standards

REQUIRED TOOLING (2)

PIC P/N 110701 Soft Jaw Clamping Pliers

Note: Similar Soft Jaw Pliers can be used

Notes:

(1) A 1.0" piece of Raychem ATUM heat shrink P/N ATUM-12/3-0 provided with connector for purpose of strain relief & moisture protection.

(2) Please refer to T-110649 Termination Instruction sheet for strip dimensions & instructions.

CONSTRUCTION

Materials:

Plug Housing	Zinc diecast
Contacts	Spring Steel
Contact Housing, Load Bar, Wire Carrier	Polycarbonate, UL 94-V0
RJ45 Latch, Hook, Strain Relief Lever, Dust Cap	Polybutylene Terephthalate, UL 94-V0
PCB	FR4, UL 94-V0
IDC Contacts	Phosphor Bronze
Shield Contact	Brass
Strain Relief (1)	ATUM Dual Wall Heat Shrink (MIL-DTL-23053/4, Class 3)
<i>Finish :</i>	
Contacts	Gold
Plug Housing, Shield Contact	Nickel
IDC Contacts	Tin

Applicable Standards : ANSI/TIA-1096-A
ANSI/TIA/EIA 568-C.2