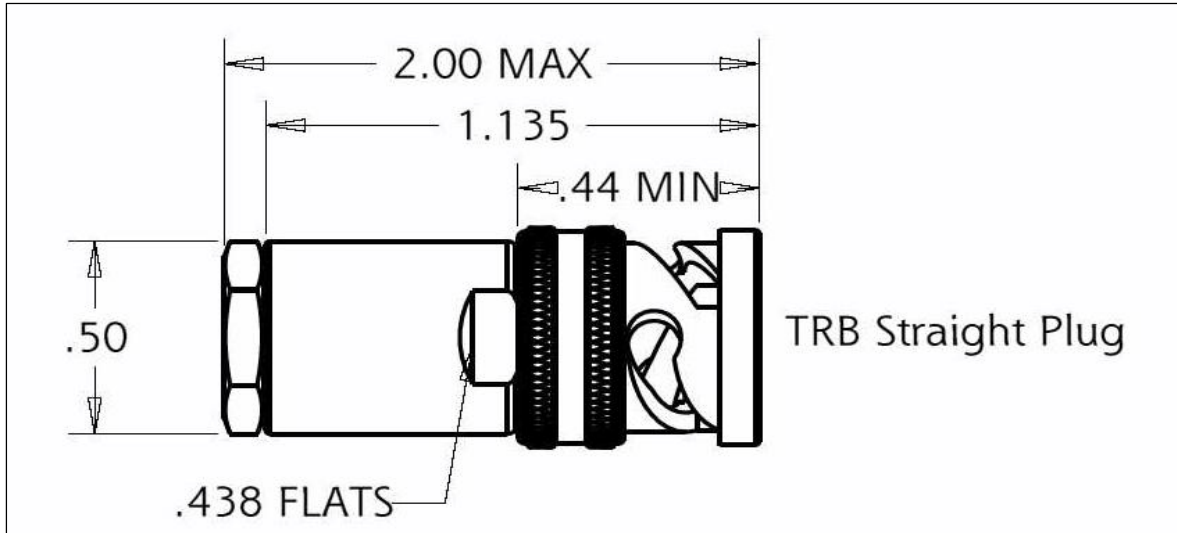


PIC Wire & Cable <i>A Division of the Angelus Corporation</i> Ph 262-246-0500 Fax 262-246-0450 PO Box 330 Sussex, WI 53089	Connector Specification	110459
	Approved <i>MCT</i>	Date 11/09/11
	Distribution : USER	Rev. 1 (06/25/13) Uncontrolled Document

TRB 3-Lug Straight Plug
for L7626TX Triax Cable



Features Not Shown : Gasket in Front

PERFORMANCE

Nominal Impedance	Non-constant
Frequency Range	DC - 500 MHz
Temperature Rating	- 65° to + 165° C
Voltage Rating	400 VRMS

CONNECTOR WEIGHT (Each)

0.75 ounces (21.21 grams)

RoHS COMPLIANT

Complies to RoHS Standards

INSTALLATION

Crimp Tooling

Solder / Clamp Termination

CONSTRUCTION

Materials:

Body	Brass
Outer Conductor	Beryllium copper
Center Contact	Brass

Finish :

Body	Nickel
Center Contact	Gold

Applicable Standards MIL-C-49142

Notes :

- 1) A 1.5" piece of Raychem ATUM heat shrink P/N ATUM-16/4-0 provided with connector for purpose of strain relief & moisture protection.
- 2) Please refer to T-110459 Termination Instruction sheet for strip dimensions & instructions.