
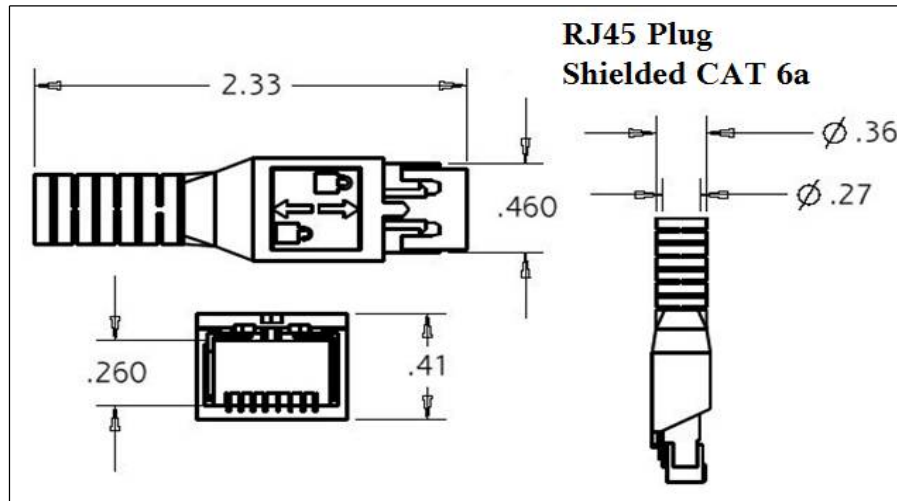


PIC Wire & Cable	Connector Specification	P/N 110384
<i>A Division of the Angelus Corporation</i> Ph (262) 246-0500 Fax (262) 246-0450 www.picwire.com PO Box 330 Sussex, WI 53089	Approved : 	Date : 08/27/09
	Distribution : USER	Rev. 4 : (10/12/15)
		Uncontrolled if Printed

**RJ45 Blade Patch Plug with Black Boot
(Shielded Cat 6a)**

for PIC Exx824/Gxx824 (4 Pair, 24 AWG Cat 5e Ethernet Cables)



PERFORMANCE

Exceeds ANSI/TIA/EIA CAT 6a

Current/Voltage : 1.5 Amps

Contact Resistance : 20 MilliOhms Max

Min Dielectric Withstand Voltage : 1000 VDC or AC peak
(contact to contact)

Insulation Resistance : 500 MiliOhms

ENVIRONMENTAL

Temperature Rating : -20 C to +60 C

Insertion/Extraction : 750 Cycles

Flame Auto Extinguish : UL 94 V-0

CONNECTOR WEIGHT (Each)

0.24 ounces (6.80 grams)

CONSTRUCTION

Materials:

Plug Housing : Polycarbonate
 Contacts : Copper Alloy
 Shield : Brass

Finish:

Contacts : Gold - 50 microinches
 Shield : Tin

APPLICABLE STANDARDS

ANSI/TIA 1096-A
 ANSI/TIA-568-C.2

RoHS COMPLIANT

Complies to RoHS Standards

INSTALLATION

Factory crimp only - Contact PIC for further details

Notes :

1) Please refer to T-110384 Termination Instruction sheet for strip dimensions & instructions.