

A Division of the Angelus Corporation

Ph (262) 246-0500 Fax (262) 246-0450 www.picwire.com

W220N1051 Springdale Road, Waukesha, WI 53186

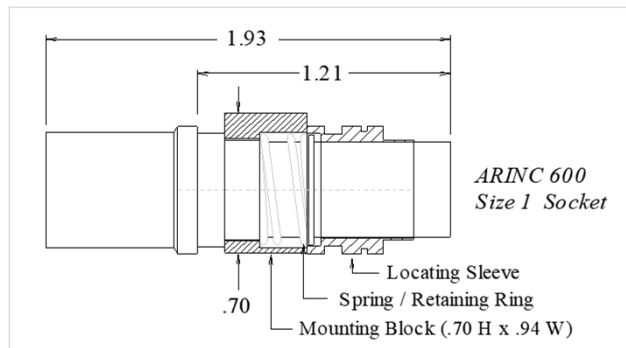
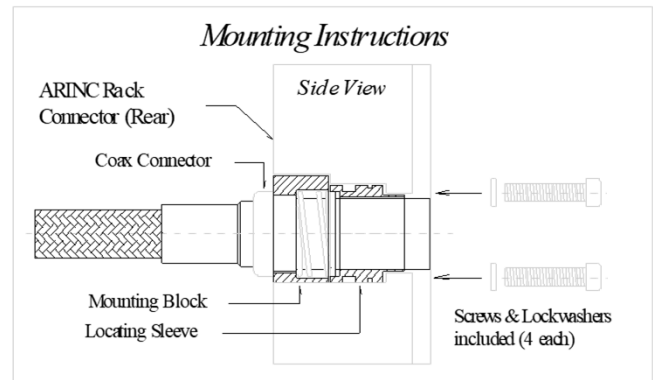
Approved : *PFT*

Date : 09/01/95

Rev. : 8 (05/18/21)

Distribution : USER

Uncontrolled if Printed

ARINC 600 Size 1 Socket Contact
for S22089 & UH25107*Features Not Shown : Mounting Screws (4 ea), Lockwashers (4 ea)***PERFORMANCE**

Impedance (nom)	50 Ohms
Frequency Range	0 - 5 GHz
Voltage Rating	1000 V(rms)
Insulation Resistance (min)	5000 Megohms
DWV	2500 V(rms)
VSWR (Max)	1.7:1
Insertion Loss (Max)	0.3 dB

CONNECTOR WEIGHT (Each)

1.49 ounces (42.24 grams)

RoHS COMPLIANT

Complies to RoHS Standards

INSTALLATION (Tooling)

<i>Pic Die Set</i>	<i>MIL Spec Die Set</i>
<i>Center Contact</i>	<i>Center Contact</i>
M22520 / 5 - 01 Tool,	M22520 / 5-01 Tool,
PIC 190418 Hex Crimp Die (.132 hex)	MIL Spec *M22520 / 5-04 (.138 A hex)

<i>Crimp Ferrule</i>	<i>Crimp Ferrule</i>
M22520 / 5 - 01 Tool,	M22520 / 5-01 Tool,
PIC 190418 Hex Crimp Die (.523/.562 hex)	MIL Spec *M22520 / 5-27 (.532 A hex)

CONSTRUCTION**Materials:**

Body	Brass, ASTM-B16, Alloy UNS 36000, H02
Center Contact	Beryllium Copper, ASTM-B196, Alloy UNS C17300
Ferrule	Brass, ASTM-B16, Alloy UNS 36000, Dead Soft, Weatherseals included
Dielectric	TFE Fluorocarbon, ASTM-D1710, Type 1, Grade 1
Spring, Retaining Ring	Stainless Steel
Mounting Block	Aluminum, Alloy 6061 T6
Locating Sleeve	Brass, ASTM-B16, Alloy UNS 36000, H02

Finish :

Body, Ferrule, Sleeve	Gold
Center Contact	Gold
Spring, Retaining Ring	Passivated
Mounting Block	Iridite

APPLICABLE STANDARDS

ARINC 600

Notes :

- 1) A 1.5" piece of Raychem ATUM heat shrink P/N ATUM-19/6-0 provided with connector for purpose of strain relief & moisture protection.
- 2) Please refer to T-190XXX Termination Instruction sheet for strip dimensions & instructions for S22089 & T-UH25107 for UH25107.

* Note - MIL Spec die to be used on the smaller diameter area of ferrule only. Not the larger "Bell" area on end.