

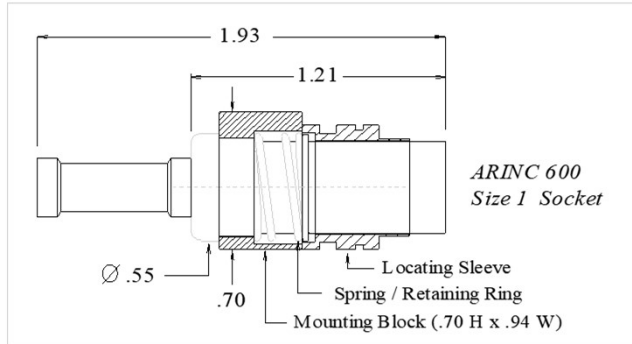
A Division of the Angelus Corporation  
 Ph (262) 246-0500 Fax (262) 246-0450 www.picwire.com  
 PO Box 330 Sussex, WI 53089

Approved :   
 Distribution : USER

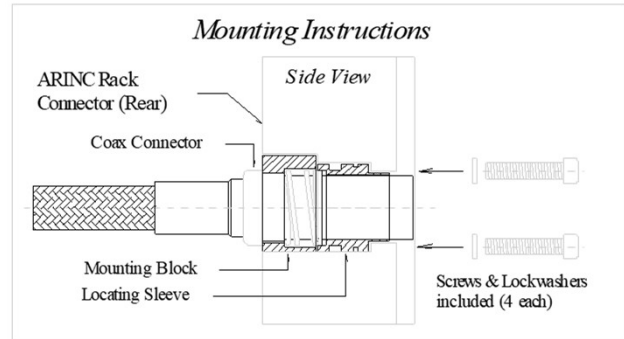
Date : 05/14/99  
 Rev : 4 (09/07/18)  
 Uncontrolled if Printed

**ARINC 600 Size 1 Socket Contact**

for S44191, S44193, S46191  
 or RG400, RG142



Features Not Shown : Mounting Screws (4 ea), Lockwashers (4 ea)

**PERFORMANCE**

Nominal Impedance	50 Ohms
Frequency Range	0 - 5 GHz
Voltage Rating	1000 V(rms)
Insulation Resistance	5000 Megohms min
DWV	2500 V(rms)
VSWR (Max)	1.7:1
Insertion Loss (Max)	0.3 dB

**CONNECTOR WEIGHT (Each)**

1.34 ounces (39.63 grams)

**RoHS COMPLIANT**

Complies to RoHS Standards

**INSTALLATION**

<b>Pic Die Set</b>	<b>MIL Spec Die Set</b>
<b>Center Contact</b>	<b>Center Contact</b>
M22520 / 5 - 01 Tool, PIC 190118 Hex Crimp Die (.098 hex)	M22520 / 5-01 Tool, MIL Spec *M22520 / 5-57 (.100 B hex)
<b>Crimp Ferrule</b>	<b>Crimp Ferrule</b>
M22520 / 5 - 01 Tool, PIC 190118 Hex Crimp Die (.213/.261 hex)	M22520 / 5-01 Tool, MIL Spec *M22520 / 5-57 (.213 A hex)

**CONSTRUCTION****Materials:**

Body	Brass, ASTM-B16, Alloy UNS 36000, H02
Center Contact	Beryllium Copper, ASTM-B196, Alloy UNS C17300
Ferrule	Brass, ASTM-B16, Alloy UNS 36000, Dead Soft, Weatherseals included
Dielectric	TFE Fluorocarbon, ASTM-D1710, Type 1, Grade 1
Spring, Retaining Ring	Stainless Steel
Mounting Block	Aluminum, Alloy 6061 T6

**Finish :**

Body, Ferrule	Gold
Center Contact	Gold
Spring, Retaining Ring	Passivated
Mounting Block	Iridite

**APPLICABLE STANDARDS**

ARINC 600

**Notes:**

- 1) A 1.5" piece of Raychem ATUM heat shrink P/N ATUM-16/4-0 provided with connector for purpose of strain relief & moisture protection.
- 2) Please refer to T-190XXX Termination Instruction sheet for strip dimensions & instructions.

\* Note - MIL Spec die to be used on the smaller diameter area of ferrule only. Not the larger "Bell" areas on each end.