
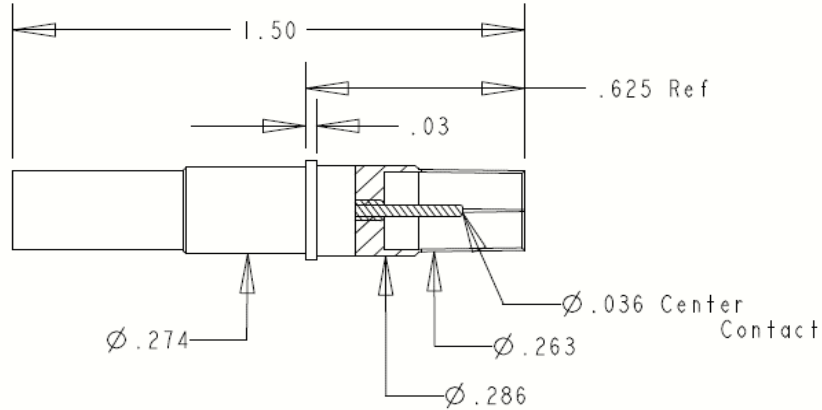


PIC Wire & Cable	Connector Specification	P/N 150139
<i>A Division of the Angelus Corporation</i> Ph (262) 246-0500 Fax (262) 246-0450 www.picwire.com PO Box 330 Sussex, WI 53089	Approved :  Distribution : USER	Date : 07/07/16 Rev. 1 (10/10/18) Uncontrolled if Printed

M39029 Size 8 Coaxial Socket Contact
for UH44193



PERFORMANCE

Nominal Impedance :	50 Ohms
Frequency Range :	0 - 5 GHz
Voltage Rating :	325 V(rms)
Insulation Resistance :	5000 Megohms min.
Dielectric Withstanding Voltage :	1300 V(rms)
VSWR (max) :	1.3:1
Insertion Loss (max) :	0.3 dB

CONNECTOR WEIGHT (Each)

0.28 ounces (8.05 grams)

RoHS COMPLIANT

Complies to RoHS Standards

INSTALLATION

Center Contact

M22520 / 1-01 Tool
 Selector Dial Setting #8
 Positioner : M22520 / 1-09

Crimp Ferrule

M22520 / 5-01 Tool
 M22520 / 5-11 Die Set
 (.213" A hex)

CONSTRUCTION

Materials:

Body	Beryllium Copper, ASTM-B196, Alloy UNS C17300
Center Contact	Brass, ASTM-B16, Alloy UNS 36000, H02
Ferrule	Brass, ASTM-B16, Alloy UNS 36000, Dead Soft, Weatherseals included
Dielectric	TFE Fluorocarbon, ASTM-D1710, Type 1, Grade 1

Finish :

Body, Ferrule	Gold
Center Contact	Gold

APPLICABLE STANDARDS

MIL-C-39029/59
 MIL-C-38999 (Series I, III, IV)

Notes :

1) Please refer to T-1501XX Termination Instruction sheet for strip dimensions & instructions.

2) Removal Tool P/N M81969/14-12