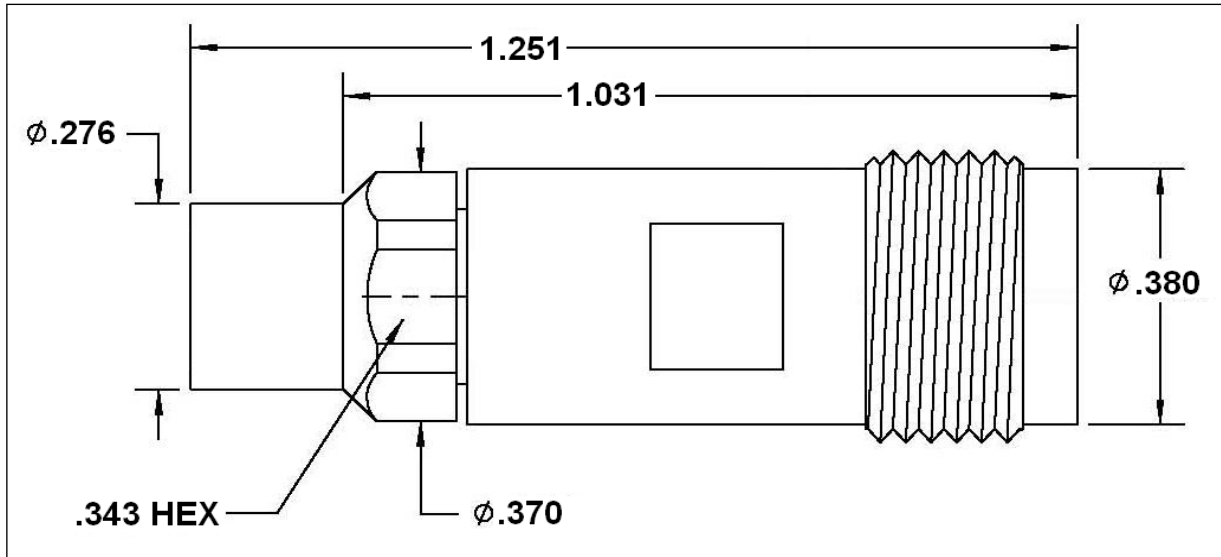


PIC Wire & Cable <i>A Division of the Angelus Corporation</i> Ph 262-246-0500 Fax 262-246-0450 PO Box 330 Sussex, WI 53089	Connector Specification	120523
	Approved <i>MCT</i>	11/10/2010
	Distribution : USER	Rev. 1 (06/11/13) Uncontrolled Document

TNCA Jack
for S29156, S28150, & HT77210F Cables



PERFORMANCE

Nominal Impedance	50 Ohms
Frequency Range	DC - 18 GHz
Temperature Rating	- 65° to + 200° C
Voltage Rating	500 VRMS

CONNECTOR WEIGHT (Each)

.45 ounces (12.70 grams)

RoHS COMPLIANT

Complies to RoHS Standards

INSTALLATION

Solder-on Termination

CONSTRUCTION

Materials:

Body	Stainless Steel
Coupling Nut	Stainless Steel
Center Contact	Beryllium Copper
Solder Ferrule	Brass
Dielectric	PTFE

Finish :

Body, Coupling Nut	Passivated
Solder Ferrule	Gold
Center Contact	Gold

Applicable Standards	MIL-STD 348
	MIL-C-39012

Notes :

- 1) A 1.5" piece of Raychem ATUM heat shrink P/N ATUM-12/3-0 provided with connector for purpose of strain relief & moisture protection.
- 2) Please refer to T-120523 Termination Instruction sheet for strip dimensions & instructions.