

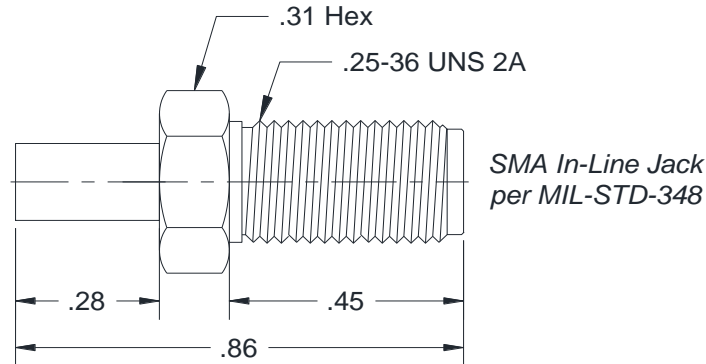
A Division of the Angelus Corporation
 Ph (262) 246-0500 Fax (262) 246-0450 www.picwire.com
 W220N1051 Springdale Road, Waukesha, WI 53186

Approved : *JDA*
 Distribution : USER

Date: 4/28/2021
 Rev.: 0
 Uncontrolled if Printed

SMA In-Line Receptacle

for S31601

**PERFORMANCE**

Nominal Impedance : 50 Ohms
 Frequency Range : 0 - 12.4 GHz
 Voltage Rating : 335 V (rms)
 Insulation Resistance : 5000 Megohms min.
 Insertion Loss : $0.06 \sqrt{F(GHz)}$
 Minimum Temperature : -65 °C
 Maximum Temperature : 165 °C

CONNECTOR WEIGHT (Each)

0.11 ounces (3.12 grams)

RoHS COMPLIANT

Complies to RoHS Standards

INSTALLATION**Center Contact**

Solder only

Crimp Ferrule

M22520/5-01, Hex Crimp Tool
 M22520/5-08, Hex Crimp Die Set
 Cavity A (.128" Hex)

CONSTRUCTION**Materials:**

Body	Brass
Dielectric	Teflon
Center Contact	Beryllium Copper
Ferrule	Copper

Finish :

Body	Gold
Center Contact	Gold
Ferrule	Gold

APPLICABLE STANDARDS

MIL-STD 348
 MIL-PRF-39012

Notes :

1) A 1.0" piece of Raychem ATUM heat shrink P/N ATUM-8/2-0 provided with connector for purpose of strain relief & moisture protection.

2) Please refer to T-111144 Termination Instruction sheet for strip dimensions & instructions.