

A Division of the Angelus Corporation
 Ph (262) 246-0500 Fax (262) 246-0450 www.picwire.com
 PO Box 330 Sussex, WI 53089

Issued : TVH

Date : 11/15/19

Approved :

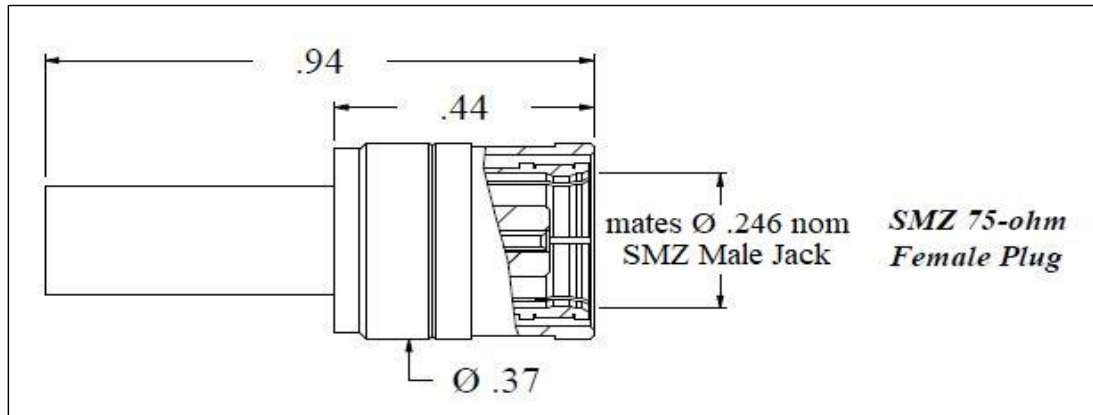
Rev. 0

Distribution : USER

Uncontrolled if Printed

SMZ 75 Ohm Straight Female Plug

(for PIC 75 Ohm Coaxial Cables V76261, V73263, V75268)

**PERFORMANCE**

Nominal Impedance	75 Ohms
Frequency Range	0 - 3 GHz
Voltage Rating	335 V(rms)
Insulation Resistance	1000 Megohms

CONNECTOR WEIGHT (Each)*ibd***RoHS COMPLIANT**

Complies to RoHS Standards

INSTALLATION***Crimp Tooling:***

<i>Center Contact</i>	Solder Only
<i>Crimp Ferrule</i>	M22520 / 5 - 01 Tool, M22520 / 5-41, B Hex Crimp Die (.178 hex). PIC P/N 110333

CONSTRUCTION***Materials:***

Body	Brass
Center Contact	Beryllium Copper
Ferrule	Copper Alloy
Dielectric	TFE Fluorocarbon

Finish :

Body, Ferrule	Gold
Center Contact	Gold

APPLICABLE STANDARDS

SMB 75-ohm

Notes :

1) Please refer to T-110863 Termination Instruction sheet for strip dimensions & instructions.