
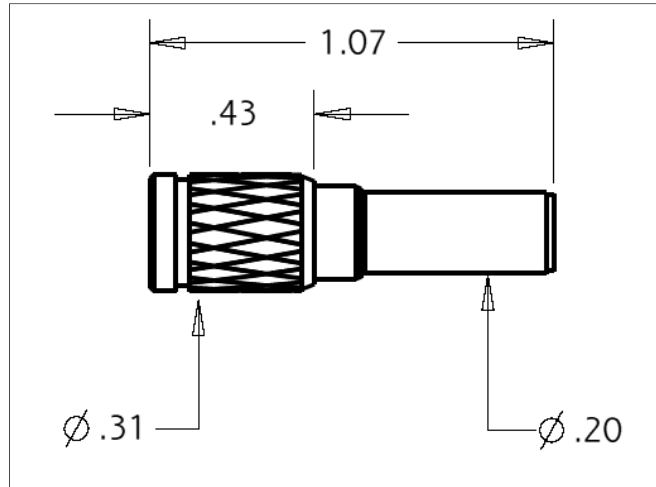


<b>PIC Wire &amp; Cable</b>	<b>Connector Specification</b>	<b>P/N 110842</b>
<i>A Division of the Angelus Corporation</i> Ph (262) 246-0500 Fax (262) 246-0450 www.picwire.com PO Box 330 Sussex, WI 53089	Approved : 	Date 03/31/15
	Distribution : USER	Rev. 0
		Uncontrolled if Printed

**1.0/2.3 DIN Plug connector**  
for V73263, V75268 & V76261



**PERFORMANCE**

Nominal Impedance	75 Ohms
Frequency Range	0 - 3 GHz
Voltage Rating	150 VRMS
Insulation Resistance	10,000 Megohms

**CONNECTOR WEIGHT (Each)**

.151 ounces (4.27 grams)

**RoHS COMPLIANT**

Complies to RoHS Standards

**INSTALLATION**

**Center Contact**

M22520 / 5-01, Tool  
Daniels # Y1833P, Die Set  
(.042 square crimp)

**Crimp Ferrule**

M22520 / 5-01, Tool  
M22520 / 5-41, Die Set  
(.178 B hex)

**CONSTRUCTION**

**Materials:**

Body :	Brass, ASTM-B16
Center Contact :	Brass, ASTM-B16
Outer Contact :	Beryllium Copper, ASTM-B196
Ferrule :	Brass, ASTM-B16,
Dielectric :	PTFE

**Finish :**

Body, Ferrule :	Nickel
Center Contact :	Gold

**Applicable Standards**

MIL-STD-348  
MIL-PRF-39012

**Notes :**

- 1) A 1.5" piece of Raychem ATUM heat shrink P/N ATUM-8/2-0 provided with connector for purpose of strain relief & moisture protection.
- 2) Please refer to T-110842 Termination Instruction sheet for strip dimensions & instructions.