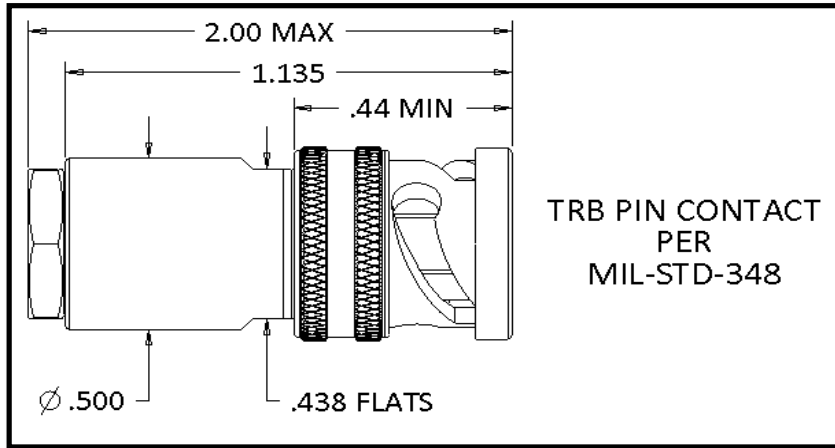


PIC Wire & Cable	Connector Specification	P/N 110397
<i>A Division of the Angelus Corporation</i> Ph (262) 246-0500 Fax (262) 246-0450 www.picwire.com N220 W1051 Springdale Road, Waukesha, WI 53186	Approved : <i>JMS</i>	Date : 08/23/22
	Distribution : USER	Rev : 0 (08/23/22)
		Uncontrolled if Printed

TRB, Triax Plug Connector
for L8620TX, or M17/177-00002 cables



PERFORMANCE

Impedance :	Non-constant
Frequency Range :	0 - 500 MHz
Voltage Rating :	400 V
Operating Temperature	-65° to +165° C

CONNECTOR WEIGHT (Each)

0.81 ounces (23.03 grams)

RoHS COMPLIANT

Complies to RoHS Standards

INSTALLATION

Center Contact
Solder

CONSTRUCTION

Materials:

Body	Brass
Cable Contact	Beryllium Copper
Inner shield	Beryllium Copper
Pin dielectric	PTFE
Cone insert	PTFE
Cone	Brass

Finish :

Body, Cone	Nickel
Center Contact	Gold

APPLICABLE STANDARDS

MIL-STD 348

Notes :

- 1) A 1.5" piece of Raychem ATUM heat shrink P/N ATUM-16/4-0 provided with connector for purpose of strain relief & moisture protection.
- 2) Please refer to T-110397 Termination Instruction sheet for strip dimensions & instructions.