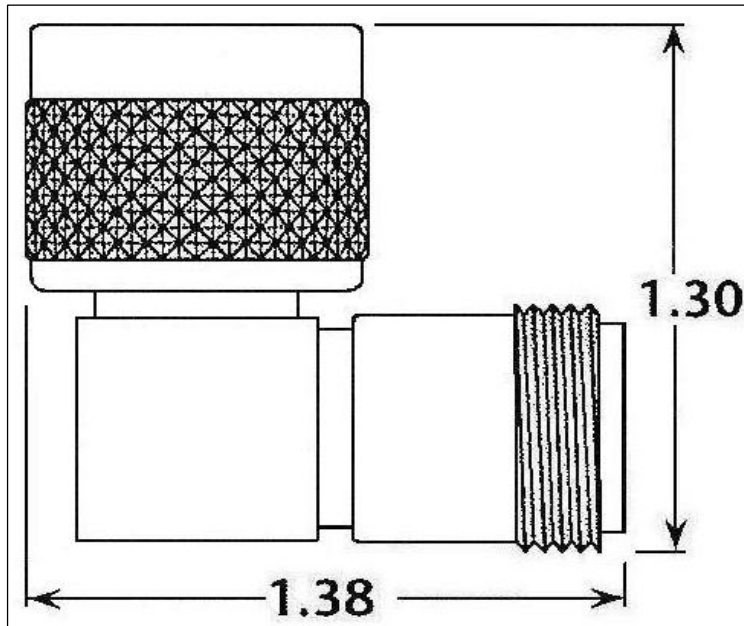


PIC Wire & Cable <i>A Division of the Angelus Corporation</i> 262-246-0500 Fax 262-246-0450 PO Box 330 Sussex, WI 53089	Connector Specification	P/N 110258
	Approved <i>MCT</i>	Date 06/09/09
	Distribution : USER	Rev. 1 (06/26/13) Uncontrolled Document

N Plug to N Jack 90° Adapter



PERFORMANCE

Impedance	50 Ohms
Frequency Range	0 - 11 GHz
Voltage Rating	1000 VRMS

CONNECTOR WEIGHT (Each)

tbd

RoHS COMPLIANT

Complies to RoHS Standards

CONSTRUCTION

Materials:

Connector Body	Brass, ASTM-B16,
Center Contact	Beryllium Copper, ASTM-B196
Outer Contact	Phosphor Bronze, ASTM-B-103
C-ring	Phosphor Bronze, ASTM-B-103
Gasket	Silicon Rubber, ZZ-R-765
Dielectric	Teflon, ASTM-D4894

Finish :

- Body	Nickel
- Center Contact	Silver

Applicable Standards MIL-STD 348