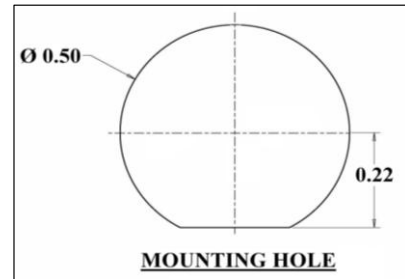
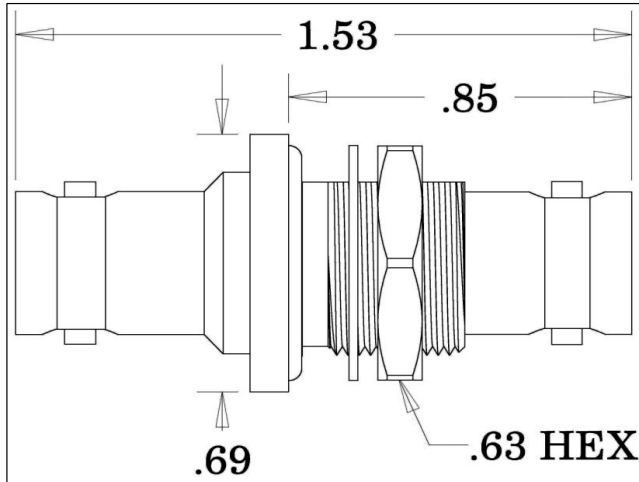


PIC Wire & Cable <i>A Division of the Angelus Corporation</i> Ph 262-246-0500 Fax 262-246-0450 PO Box 330 Sussex, WI 53089	Connector Specification	110195
	Approved <i>MCT</i>	Date 01/08/10
	Distribution : USER	Rev. 2 (06/26/13) Uncontrolled Document

Hermetically Sealed BNC Jack to Jack Bulkhead Adapter



PERFORMANCE

Nominal Impedance	50 Ohms
Frequency Range	DC - 4 GHz
Working Voltage	500 VRMS

CONNECTOR WEIGHT (Each)

tbd

RoHS COMPLIANT

Complies to RoHS Standards

INSTALLATION

Recommended Jam Nut Torque - 35 to 40 in. lbs.

CONSTRUCTION

Materials:

Body	Brass
Gasket	Silicone Rubber
Center Contact	Beryllium Copper
Insulator	Teflon
Lockwasher	Phosphor Bronze

Finish :

Center Contact	Gold
Body	Silver

<i>Applicable Standards</i>	MIL-STD 348
	MIL-C-39012