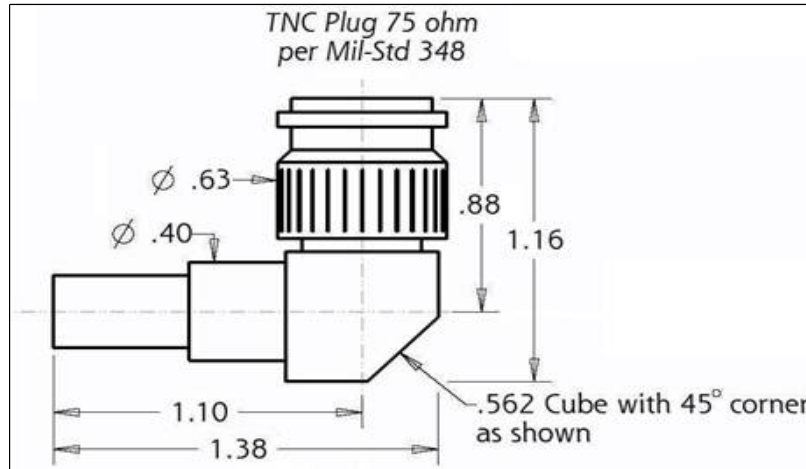


PIC Wire & Cable A Division of the Angelus Corporation Ph 262-246-0500 Fax 262-246-0450 PO Box 330 Sussex, WI 53089	Connector Specification	190909
	Approved <i>TVH</i>	Date 04/09/12 Rev. 2 (08/18/14)
	Distribution : USER	Uncontrolled Document

TNC 90° Plug
for V78209 cable



PERFORMANCE

Nominal Impedance	75 Ohms
Frequency Range	0 - 3 GHz
Voltage Rating	500 VRMS
Insulation Resistance	5000 Megohms

CONNECTOR WEIGHT (Each)

1.32 ounces (37.42 grams)

RoHS COMPLIANT

Complies to RoHS Standards

INSTALLATION

Crimp Tooling:

Center Contact M22520 / 1 - 01 Tool,
Selector Dial @ # 5
Recommended Positioner :
PIC # 110656 (Daniels # TH729)
Color Code : Red

Crimp Ferrule M22520 / 5 - 01 Tool,
Die Set M22520 / 5 - 59 ,
PIC P/N 110697
Cavity A (.255" hex)

CONSTRUCTION

Materials:

Body	Brass
Dielectric	Teflon
Cable Contact	Brass
Center Contact	Beryllium Copper
Outer Contact	Beryllium Copper
Gasket	Silicone Rubber

Finish :

Body	Nickel
Cable Contact	Gold
Center Contact	Gold
Outer Contact	Nickel

Applicable Standards MIL-STD 348
MIL-PRF-39012

Notes :

- 1) A 1.5" piece of Raychem ATUM heat shrink P/N ATUM-12/3-0 provided with connector for purpose of strain relief & moisture protection.
- 2) Please refer to T-1909XX Termination Instruction sheet for strip dimensions & instructions.