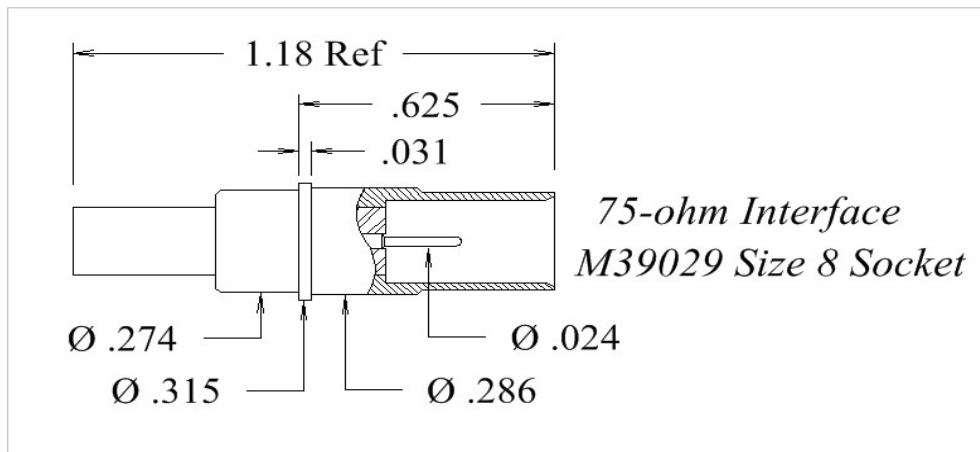


PIC Wire & Cable	Connector Specification	P/N 190741
<i>A Division of the Angelus Corporation</i> Ph (262) 246-0500 Fax (262) 246-0450 www.picwire.com PO Box 330 Sussex, WI 53089	Approved : <i>PFT</i>	Date : 09/03/09
	Distribution : USER	Rev : 7 (07/14/20)
		Uncontrolled if Printed

M39029 Size 8 Coaxial Socket Contact, *75 Ohm
for V73263, V75268, V76261



PERFORMANCE

Nominal Impedance	75 Ohms
Frequency Range	0 - 12 GHz
Voltage Rating	750 V(rms)
Insulation Resistance	5000 Megohms
Dielectric Withstanding Voltage	1300 V(rms)

CONNECTOR WEIGHT (Each)

0.21 ounces (5.90 grams)

RoHS COMPLIANT

Complies to RoHS Standards

INSTALLATION (Tooling)

Center Contact

M22520 / 2 - 01 Tool,
 Selector Dial @ 3
 Recommended Positioner :
 PIC 110546 (DMC K1759)

Crimp Ferrule

M22520 / 5 - 01 Tool,
 Daniels # Y187 Hex Crimp Die
 (.156" hex)

CONSTRUCTION

Materials:

Body	Beryllium Copper, ASTM-B196, Alloy UNS C17300
Center Contact	Beryllium Copper, ASTM-B196, Alloy UNS C17300
Ferrule	Brass, ASTM-B16, Alloy UNS 36000, Dead Soft,
Dielectric	TFE Fluorocarbon, ASTM-D1710, Type 1, Grade 1

Finish :

Body, Ferrule	Gold
Center Contact	Gold

APPLICATIONS

MIL-DTL-38999, Series I, III, IV
 SAE-AS39029/59

Notes :

- 1) Please refer to T-1907XX Termination Instruction sheet for strip dimensions & instructions.
- 2) Removal Tool P/N MIL-I-81969/14-12

*** Approved for use ONLY with mating 75 Ohm Interface contacts listed below :**
PIC # 190740, 190740-01,
PIC # 190940, 190940-01