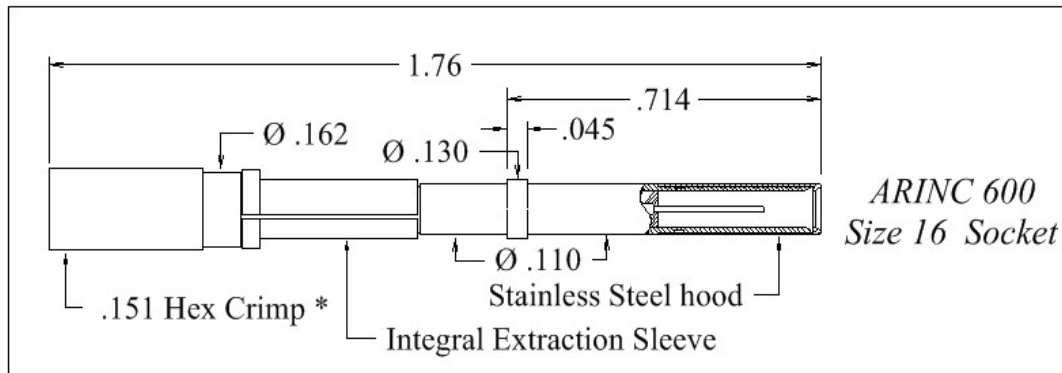


**ARINC Coaxial Size 16 Socket Contact**

for V73263, V75268, V76261 Coax,  
 or L7626TX Triax (inner coax)

**PERFORMANCE**

Nominal Impedance	Non-Constant
Frequency Range	400 MHz
Voltage Rating	250 V(rms)
Insulation Resistance	5000 Megohms
Dielectric Withstanding Voltage	500 V(rms)
VSWR (Max)	1.6:1
Insertion Loss (Max)	0.3 dB

**CONNECTOR WEIGHT (Each)**

0.24 ounces (6.80 grams)

**RoHS COMPLIANT**

Complies to RoHS Standards

**INSTALLATION (Tooling)****Center Contact**

M22520 / 2 - 01 Tool,  
 Dial Setting # 5  
 Recommended Positioner :  
 PIC # 110300 (Daniels # K1598)

**Crimp Ferrule**

M22520 / 5 - 01 Tool,  
 M22520 / 5 - 37 Hex Die Set, Cav. B  
 PIC # 110283 (.151" hex) Daniels # Y138  
 \* .151 Hex Crimp (across flats) = .174 Max across hex points

**CONSTRUCTION****Materials:**

Body	Beryllium Copper, ASTM-B196, Alloy UNS C17300 w/ Stainless Steel Hood
Center Contact	Beryllium Copper, ASTM-B196, Alloy UNS C17300
Ferrule	Brass, ASTM-B16, Alloy UNS 36000, Dead Soft
Dielectric	TFE Fluorocarbon, ASTM-D1710, Type 1, Grade 1
Extraction Sleeve	Nylon, Type 6/6

**Finish :**

Body, Ferrule	Gold
Center Contact	Gold
Outer Hood	Passivated Stainless

**APPLICATIONS**

ARINC 404 / 600 (Contact dim's only)

**Notes :**

1) Please refer to T-1907XX Termination Instruction sheet for strip dimensions & instructions.

2) Contact has built-in extraction sleeve  
 No removal tool needed