

# Connector Specification



W220 N1051 Springdale Road  
Waukesha, WI 53186 USA  
Phone: 800.742.3191  
www.PICwire.com

Approved : *[Signature]*

Date : 10/05/23

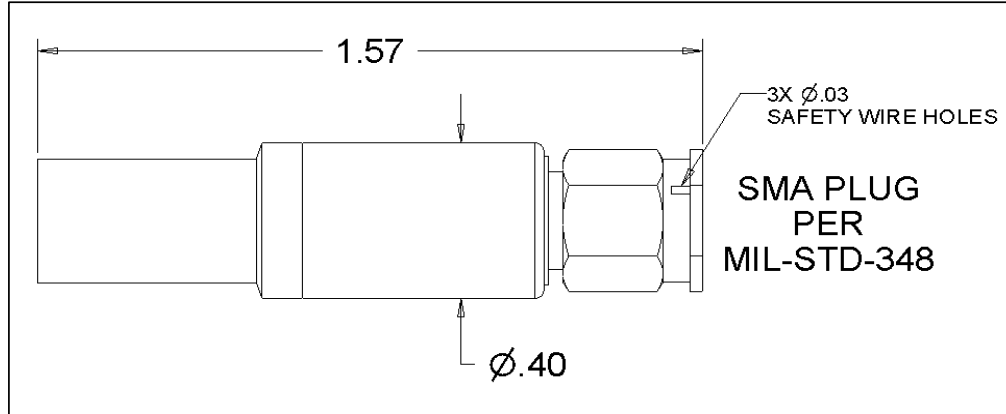
Rev : 0

Distribution : **User**

**Uncontrolled Document**

## Part Number: 190514A-G SMA type 50 Ohm Straight Plug

for S65161-A



Features Not Shown : Gasket in front

### PERFORMANCE

Nominal Impedance	50 Ohms
Frequency Range	0 - 12 GHz
Voltage Rating	335 VRMS
Insulation Resistance	5000 Megohms

### CONNECTOR WEIGHT (Each)

0.56 ounces (15.86 grams)

### RoHS COMPLIANT

Complies to RoHS Standards

### INSTALLATION

<b>Pic Die Set</b>	<b>MIL Spec Die Set</b>
Center Contact	Center Contact
M22520 / 5 - 01 Tool, PIC 190518A Hex Crimp Die (.098 hex)	M22520 / 5-01 Tool, MIL Spec *M22520 / 5-47 (.100 B hex)
Crimp Ferrule	Crimp Ferrule
M22520 / 5 - 01 Tool, *PIC 190518A Hex Crimp Die (.270/.340 hex)	M22520 / 5-01 Tool, MIL Spec *M22520 / 5-43 (.268 A hex)

### CONSTRUCTION

<b>Materials:</b>	
Body	Stainless Steel, ASTM-A582, Alloy UNS S30300
Center Contact	Beryllium Copper, ASTM-B196, Alloy UNS C17300
Ferrule	Brass, ASTM-B16, Alloy UNS 36000, Dead Soft, Weatherseals included
Dielectric	TFE Fluorocarbon, ASTM-D1710, Type 1, Grade 1
Gasket	Silicone Rubber, A-A-59588
<b>Finish :</b>	
Body	Gold
Ferrule	Gold
Center Contact	Gold

<b>Interface Standards</b>	MIL-STD 348 MIL-PRF-39012
----------------------------	------------------------------

### Notes :

- 1) A 2.5" piece of Raychem ATUM heat shrink P/N ATUM-16/4-0 provided with connector for purpose of strain relief & moisture protection.
- 2) Please refer to T-1905XXA-G Termination Instruction sheet for strip dimensions & instructions.

\* Note - MIL Spec die to be used on the smaller diameter area of ferrule only. Not the larger "Bell" areas on each end.