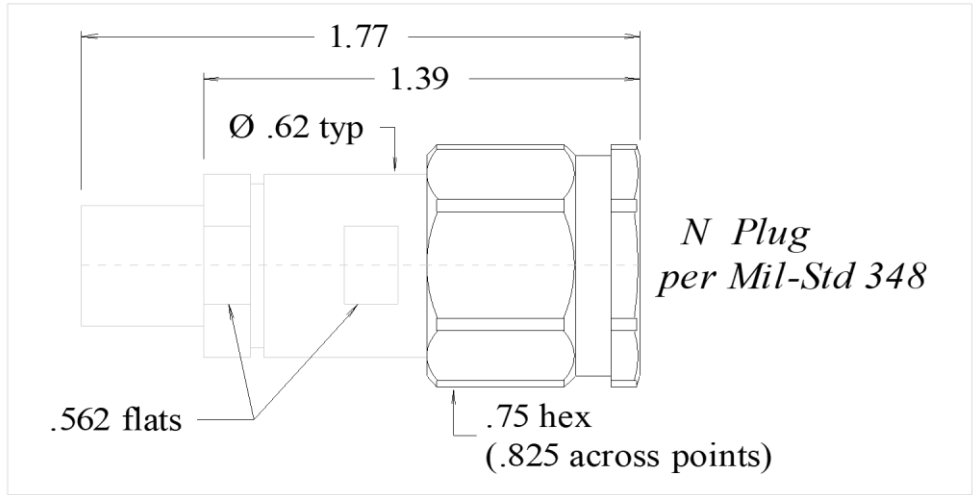


|  |                                |                       |
|--|--------------------------------|-----------------------|
| <b>PIC Wire &amp; Cable</b>                          | <b>Connector Specification</b> | <b>120610</b>         |
| <i>A Division of the Angelus Corporation</i>         | Approved: <i>JWG</i>           | Date 05/13/11         |
| Ph (262) 246-0500 Fax (262) 246-0450 www.picwire.com | Distribution : USER            | Rev. 3 (07/21/22)     |
| N220 W1051 Springdale Road, Waukesha, WI 53186       |                                | Uncontrolled Document |

**N Straight Plug**  
for S28110 & HH85295F Cables



*Features Not Shown : Safety Wire Holes, Gasket in Front*

**PERFORMANCE**

|                    |                   |
|--------------------|-------------------|
| Nominal Impedance  | 50 Ohms           |
| Frequency Range    | DC - 18 GHz       |
| Temperature Rating | - 65° to + 150° C |
| Voltage Rating     | 1000 VRMS         |

**CONNECTOR WEIGHT (Each)**

1.77 ounces (50.12 grams)

**RoHS COMPLIANT**

Complies to RoHS Standards

**INSTALLATION**

Solder-on Termination

**CONSTRUCTION**

**Materials:**

|                |                  |
|----------------|------------------|
| Body           | Stainless Steel  |
| Solder Bushing | Brass            |
| Center Contact | Beryllium Copper |
| Dielectric     | Ultem, Teflon    |
| Gasket         | Silicone Rubber  |

**Finish :**

|                |            |
|----------------|------------|
| Body           | Passivated |
| Solder Bushing | Gold       |
| Center Contact | Gold       |

|                             |                             |
|-----------------------------|-----------------------------|
| <i>Applicable Standards</i> | MIL-STD 348B<br>MIL-C-39012 |
|-----------------------------|-----------------------------|

**Notes :**

- 1) A 2.5" piece of Raychem ATUM heat shrink P/N ATUM-16/4-0 provided with connector for purpose of strain relief & moisture protection.
- 2) Please refer to T-120610 Termination Instruction sheet for strip dimensions & instructions.