

A Division of the Angelus Corporation
 Ph (262) 246-0500 Fax (262) 246-0450 www.picwire.com
 W220 N1051 Springdale Road, Waukesha, WI 53186

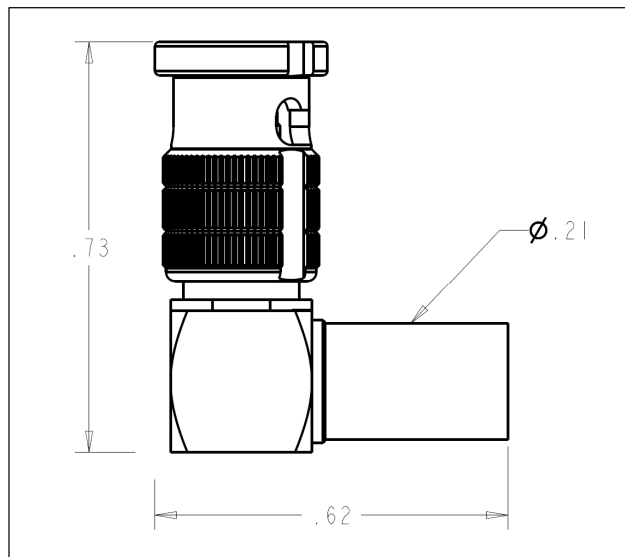
Approved : *JDA*

Date : 03/10/21

Rev. 0

Distribution : USER

Uncontrolled if Printed

HD-BNC 90° Plug*for V73263 / V76261 / V75268 Coax Cables**Features Not Shown : Cap***PERFORMANCE**

Nominal Impedance : 75 Ohms
 Frequency Range : 0 - 3 GHz
 Voltage Rating : 1000 V(rms)
 Insulation Resistance : 5000 Megohms
 Temperature Rating : -45° to +85° C

CONSTRUCTION**Materials:**

Body	Brass
Center Contact	Brass
Outer Contact	Beryllium Copper
Ferrule	Brass
Dielectric	PTFE
Gasket	Fluorosilicone

CONNECTOR WEIGHT (Each)

0.21 ounces (5.95 grams)

RoHS COMPLIANT

Complies to RoHS Standards

INSTALLATION**Center Contact**

Solder Only

Crimp Ferrule

M22520 / 5-01 Tool
 M22520 / 5-05 Die Set
 Cavity B (.178" hex)

Finish :

Body, Ferrule,	
Outer Contact	Nickel
Center Contact	Gold

APPLICABLE STANDARDS

NOT APPLICABLE

Notes :

- 1) A 1.0" piece of Raychem ATUM heat shrink P/N ATUM-8/2-0 provided with connector for purpose of strain relief & moisture protection.
- 2) Please refer to T-111163 Termination Instruction sheet for strip dimensions & instructions.

PIC Wire & Cable Connector User specification sheets are non-controlled documents if printed. Please contact PIC Wire and Cable or visit the PIC website (www.picwire.com) to ensure the latest revision of the drawing is being viewed.