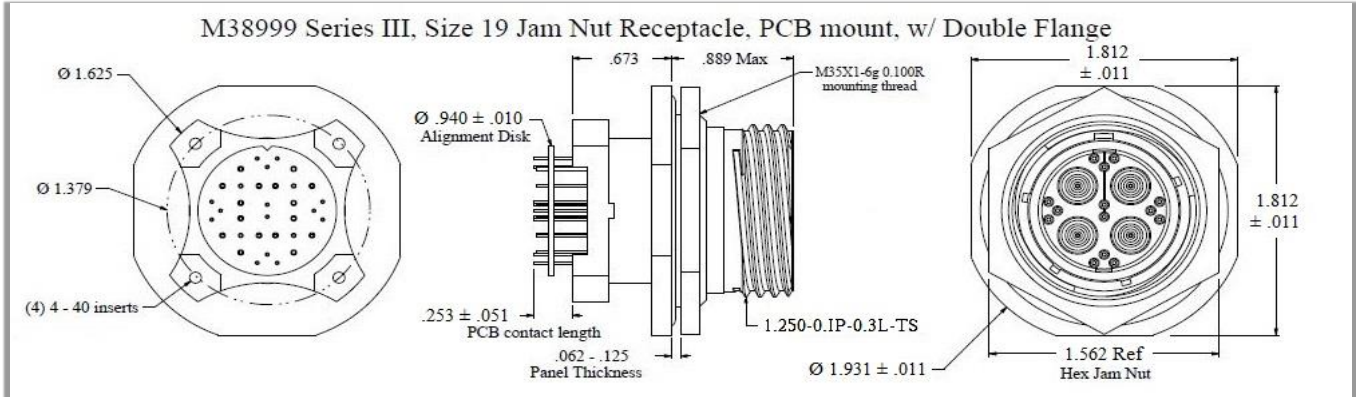


A Division of the Angelus Corporation
 Ph (262) 246-0500 Fax (262) 246-0450 www.picwire.com
 PO Box 330 Sussex, WI 53089

Approved : *PFT*
 Distribution : User

Date : 07/01/20
 Rev. 0
 Uncontrolled if Printed

M38999 Series III, Size 19 Jam Nut Receptacle, PCB mount, w/ Double Flange
 w/ (4 ea.) 75-ohm Size 8 Coax Pins, (14 ea.) 22D Pin contacts (Insert Arrangement 19-18 per Mil-Std-1560)



PERFORMANCE

Size 8 Coax :

Impedance : 75 Ohms nom
 Frequency Rating : 0 - 3 GHz
 Voltage Rating (@ Sea Level): 1000 V (rms)
 Insertion Loss : 0.11 \sqrt{F} (GHz)
 Insulation Resistance : 5000 MegOhms min
 Temperature Rating : -65° C to +175° C

22D Pin contacts :

5 Amps
 Voltage Rating (@ Sea Level): 400 VAC (rms)
 550 VDC
 Seal Rating : IP67
 $\geq 1 \times 10^{-3}$ atm cm²/s

Connector Weight (each)

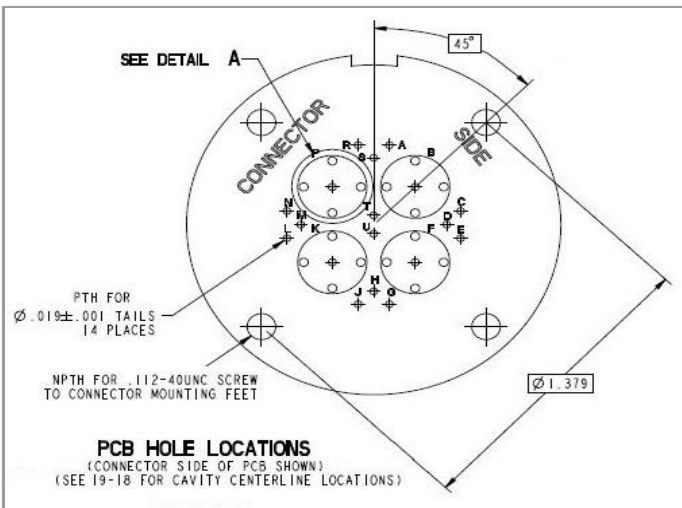
2.48 ounces (70.31 grams)

RoHS Compliant

Complies to RoHS Standards

Applicable Standards

Jam Nut Receptacle : MIL-DTL-38999, Series III, Size 19 Shell
 Insert Arrangement: 19-18 per Mil-Std-1560 (w/ Size 8 Coax)
 (Recommended Torque: 80 in-lbs Min / 85 in-lb Max)



CONSTRUCTION

Materials :

Receptacle Shell :	Aluminum Alloy
Hex Jam Nut :	Aluminum Alloy
Receptacle Insert :	Epoxy Resin Dielectric
Coax Center Contacts :	Beryllium Copper
Coax Connector Shell :	Beryllium Copper
Coax Center Contacts :	Beryllium Copper
Coax Insulator :	PTFE
22D Contacts :	Beryllium Copper
Alignment Disk :	Glass Fiber Board or PPS
Epoxy :	Stycast 933-48
O-Ring Gasket :	Fluorosilicone Rubber

Finish :

Receptacle, Jam Nut :	Black Zinc Nickel, (passed 500 hours Salt Spray)
Coax Connector Shells :	Gold
22D, Coax Center Contacts :	Gold

