
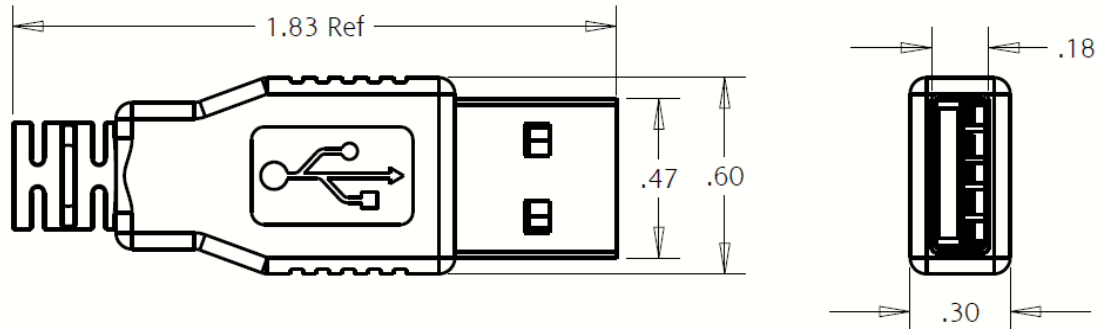


A Division of the Angelus Corporation  
 Ph (262) 246-0500 Fax (262) 246-0450 www.picwire.com  
 PO Box 330 Sussex, WI 53089

Approved :   
 Distribution : USER

Date : 07/25/18  
 Rev : 0  
 Uncontrolled if Printed

**USB 3 Type A Plug Connector***(For PIC Cable PN's USB3-2624 & USB3-2624-9)***PERFORMANCE**

Voltage Rating 30 VAC (R.M.S.)  
 Temperature Rating - 25° to + 80° C

**CONNECTOR WEIGHT (Each)**

0.26 ounces (7.51 grams)

**RoHS COMPLIANT**

Complies to RoHS Standards

**APPLICABLE STANDARDS**

USB 3.0 / 3.1

**CONSTRUCTION*****Materials:***

Body	Steel
Contacts	Phosphor Bronze
Insulator	Thermoplastic, UL 94V-0
Hood	ABS Resin - LSZH

***Finish :***

Contact	Gold over Nickel
Body	Nickel

**INSTALLATION**

Recommended Crimp Tool for crimping strain relief/cable shield is Tyco P/N 58433-1. Similar circular crimp tools acceptable.

***Notes :***

1) Please refer to T-111093 Termination Instructions for stripping dimensions & instructions.