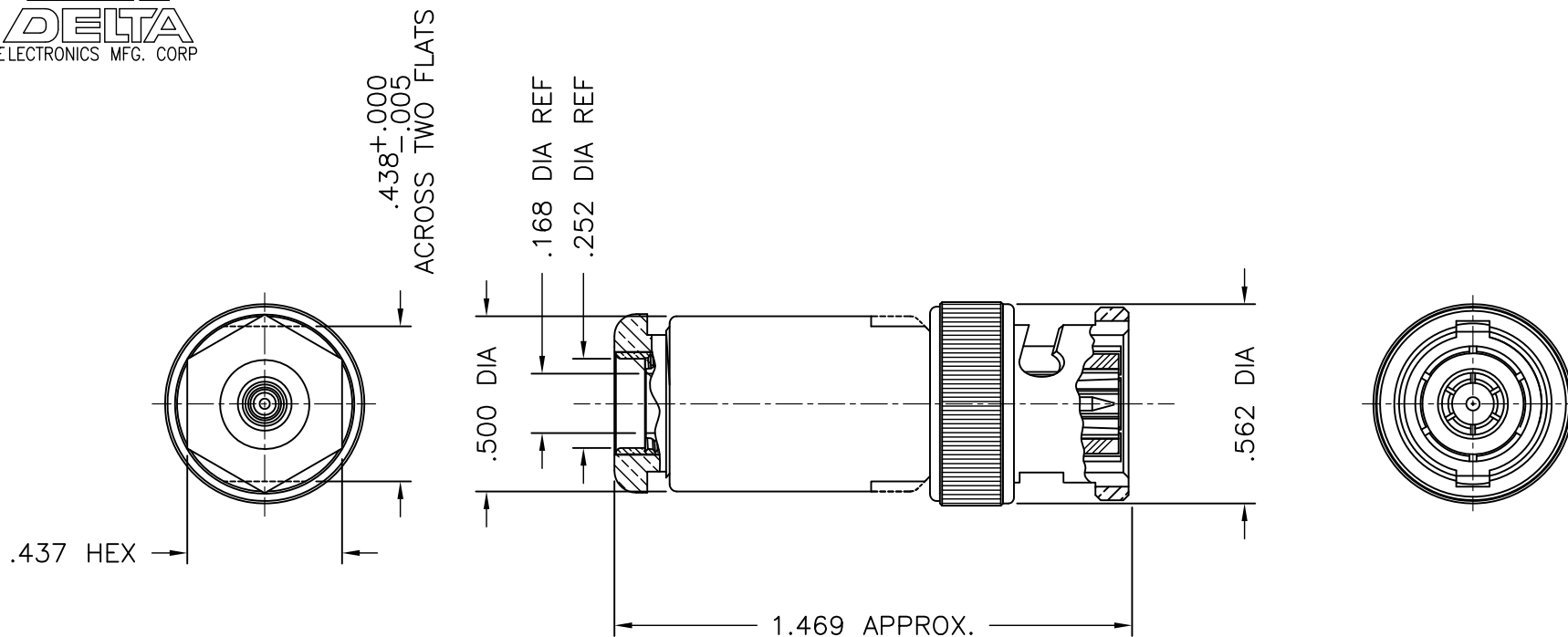




PIC Wire & Cable P/N 110570

2001-099-A000-4



NOTES:

1. ASSEMBLED CONNECTOR INTERFACE IS DESIGNED IN ACCORDANCE WITH MIL-STD-348.
2. MATERIAL: INSULATORS - TEFLON PER ASTM D1710
 GASKETS - SILICONE RUBBER PER ZZ-R-765
 SPRING WASHERS - BERYLLIUM COPPER PER ASTM B196.
 WASHER - NYLON PER MIL-N-18352
 ALL OTHER METAL PARTS - BRASS PER ASTM B16.
3. FINISHES: CONTACT & INNER BODY - GOLD PLATE PER MIL-G-45204
 SPRING WASHERS - NICKEL PLATE PER QQ-N-290
 ALL OTHER METAL PARTS - SILVER PLATE PER QQ-S365

UNLESS OTHERWISE SPECIFIED: TOLERANCES: 3 PLACES = ±.005, 2 PLACES = ±.02, ANGLES = ±1/2°, SURFACE FINISH = 63

-	OUTLINE	8/7/09
ALT.	REVISIONS	DATE

DELTA ELECTRONICS MFG. CORP. Beverly, MA 01915				
TITLE: TRB(2 LUG) TRIAXIAL PLUG FOR RG-108/U TROMPETER TWC-78-2 & TWC-124-2 CABLES				
Drawn by BJM 8/7/09	Scale 4/1	Ckd. by MR	Engr Appd MR	FILE NAME: 2001099A000-004T

THESE DRAWINGS AND SPECIFICATIONS ARE THE PROPERTY OF DELTA ELECTRONICS MFG CORP. AND SHALL NOT BE REPRODUCED, OR COPIED OR USED AS THE BASIS FOR THE MANUFACTURE OR SALE OF APPARATUS OR DEVICES WITHOUT THEIR EXPRESS WRITTEN CONSENT.

CODE IDENT.-00795

2001-099-A000-4