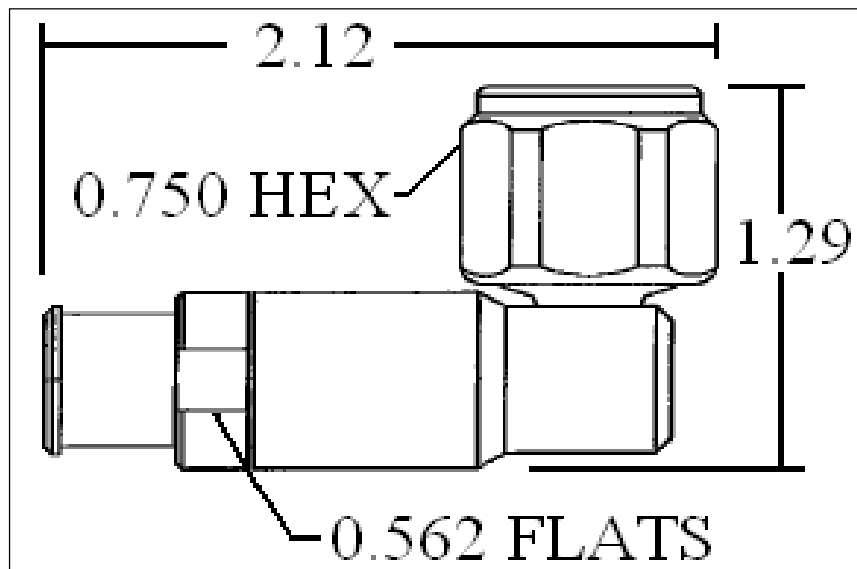


PIC Wire & Cable <i>A Division of the Angelus Corporation</i> Ph 262-246-0500 Fax 262-246-0450 PO Box 330 Sussex, WI 53089	Connector Specification	110534
	Approved <i>MCT</i>	Date 6/24/09
	Distribution : USER	Rev. 1 (06/25/13) Uncontrolled Document

N 90° Plug
for S29124



PERFORMANCE

Nominal Impedance	50 Ohms
Frequency Range	0 - 18 GHz
Voltage Rating	1500 VRMS

CONNECTOR WEIGHT

2.68 ounces (75.98 grams)

RoHS COMPLIANT

Complies to RoHS standards

CONSTRUCTION

Materials:

Body	Stainless Steel
Coupling Nut	Stainless Steel
Center Contact	Beryllium Copper
Insulator	PTFE
Gasket	Silicon Rubber

Finish :

Center Contact	Gold
----------------	------

<i>Applicable Standards</i>	MIL-STD 348a MIL-PRF-39012
-----------------------------	-------------------------------

Notes :

1) Please refer to T-110534 Termination Instruction sheet for strip dimensions & instructions.