

A Division of the Angelus Corporation

Ph (262) 246-0500 Fax (262) 246-0450 www.picwire.com
N220 W1051 Springdale Road, Waukesha, WI 53186Approved : *JMS*

Date : 08/16/12

Rev. 6 (10/17/22)

Distribution : User

Uncontrolled if Printed

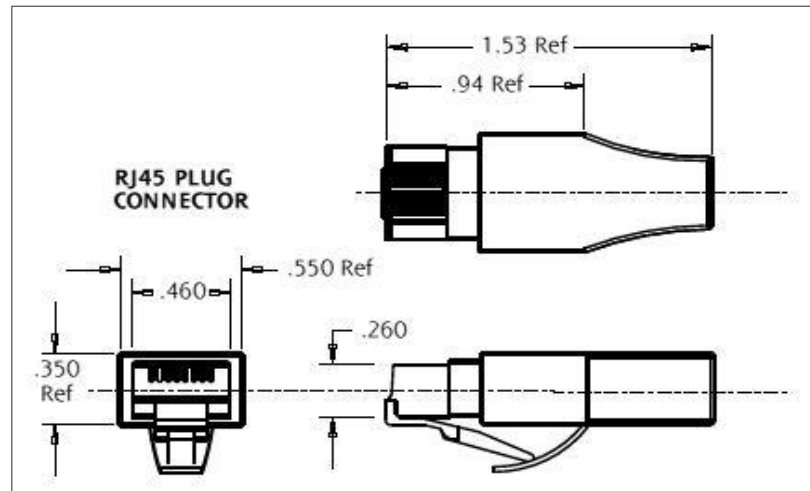
RJ45 Ethernet Plug Connector w/Protective Boot

(Connector has 4 cable conductor wire holes of 0.060")

(Contacts @ Positions 1, 2, 3, and 6 only)

* See Table Below for P/N

190061 = RJ45 Plug w/ Blue Boot (standard)
190061-BK = RJ45 Plug w/ Black Boot
190061-RD = RJ45 Plug w/ Red Boot



Drawing above is not to scale

PERFORMANCE

Exceeds ANSI/TIA/EIA Cat 6

Current / Voltage : 1.5 Amps @ 30 VAC / 42 VDC

Contact Resistance : 10 milliOhms Max

ENVIRONMENTAL

Temperature Rating : -40° C to +85° C

Insertion / Extraction : 1000 cycles

CONNECTOR WEIGHT

0.18 ounces (4.99 grams)

RoHS COMPLIANT

Complies to RoHS Standards

REQUIRED TOOLINGCrimp Tool P/N 110340
(Alternate) P/N 110274**CONSTRUCTION****Materials:**

Plug Housing :	Polycarbonate, 94-V0
Contacts :	Phosphor Bronze, 0.012" thk
Rear Shield :	Copper Alloy
Inner Ferrule :	Copper Alloy
Protective Boot :	Thermoplastic Rubber, 94-V0
Strain Relief :	ATUM Dual Wall Shrink Tube (MIL-DTL-23053/4, Class 3)

Finish :

Contacts :	Gold
Rear Shield, Inner Ferrule :	Tin

APPLICABLE STANDARDSANSI/TIA-1096-A
ANSI/TIA/EIA 568-C.2**Notes :**

- 1) Please refer to T-190061, or T-190061-SQ1 Termination Instruction sheet for strip dimensions & instructions.