

A Division of the Angelus Corporation  
 Ph (262) 246-0500 Fax (262) 246-0450 www.picwire.com  
 W220N1051 Springdale Road, Waukesha, WI 53186

Approved : *JDA*

Date: 7/28/2020

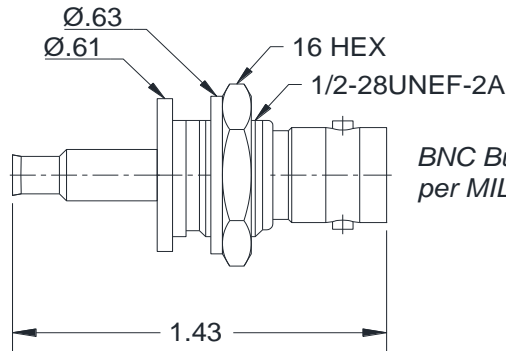
Rev.: 0

Distribution : USER

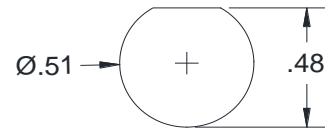
Uncontrolled if Printed

### BNC Bulkhead Receptacle

for S31601



BNC Bulkhead Jack  
per MIL-STD-348



Mounting Hole Dimensions.

#### PERFORMANCE

Nominal Impedance :	50 Ohms
Frequency Range :	0 - 4 GHz
Voltage Rating :	500 V (rms)
Insulation Resistance :	5000 Megohms min.
Insertion Loss :	$0.12 \sqrt{F(\text{GHz})}$

#### CONNECTOR WEIGHT (Each)

0.469 ounces (13.3 grams)

#### RoHS COMPLIANT

Complies to RoHS Standards

#### INSTALLATION

##### Center Contact

M22520/5-01 Tool  
 M22520/5-09 Hex Crimp Die  
 Cavity B (.068" Hex)

##### Crimp Ferrule

M22520/5-01 Tool  
 M22520/5-09 Hex Crimp Die  
 Cavity A (.178" Hex)

#### CONSTRUCTION

##### Materials:

Body	Brass
Center Contact	Phosphor Bronze
Dielectric	Delrin/PTFE
Ferrule	Copper
Lock Washer	Brass
Hex Nut	Brass
Sleeve	Delrin
Barrel	Brass

##### Finish :

Body	Nickel
Center Contact	Gold
Ferrule	Nickel
Housing	Nickel
Lock Washer	Nickel
Hex Nut	Nickel
Barrel	Nickel

#### APPLICABLE STANDARDS

MIL-STD-348  
 MIL-PRF-39012

#### Notes :

1) A 1.0" piece of Raychem ATUM heat shrink P/N ATUM-8/2-0 provided with connector for purpose of strain relief & moisture protection.

2) Please refer to T-111132 Termination Instruction sheet for strip dimensions & instructions.