
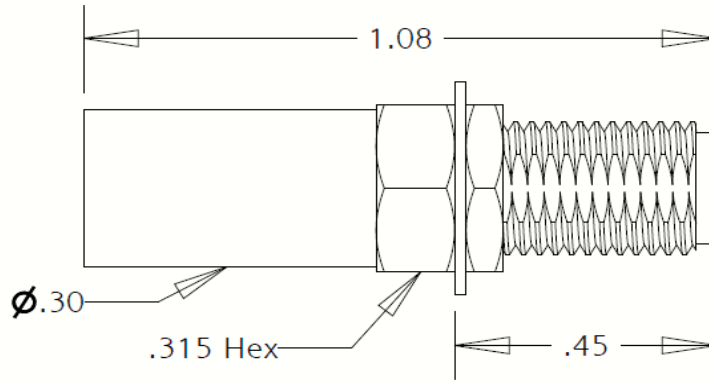


PIC Wire & Cable	Connector Specification	P/N 111082
<i>A Division of the Angelus Corporation</i> Ph (262) 246-0500 Fax (262) 246-0450 www.picwire.com PO Box 330 Sussex, WI 53089	Approved : 	Date : 10/15/18
	Distribution : USER	Rev : 0
		Uncontrolled if Printed

SMA Bulkhead Jack

for S67163



* 0.255" Hex Crimp across flats after crimping

PERFORMANCE

Nominal Impedance : 50 Ohms
Frequency Range : 0 - 12.4 GHz
Insertion Loss : 0.06 √F(GHz)
Voltage Rating : 335 V (rms)
Insulation Resistance : 5000 Megohms min.
DW Voltage : 1000 V (rms)

CONNECTOR WEIGHT (Each)

0.74 ounces (21.0 grams)

RoHS COMPLIANT

Complies to RoHS Standards

INSTALLATION (Tooling)

Center Contact

Solder-on pin Termination

Crimp Ferrule

M22520 / 5-01 Tool
M22520 / 5-13 Die Set
(.255 " A hex)*

CONSTRUCTION

Materials :

Body : Brass, ASTM-B16,
Alloy UNS 36000, H02
Center Contact : Beryllium Copper, ASTM-B196,
Alloy UNS C17300
Ferrule : Brass, ASTM-B16,
Alloy UNS 36000, Dead Soft
Dielectric : TFE Fluorocarbon, ASTM-D1710,
Type 1, Grade 1

Finish :

Body, Ferrule : Gold
Center Contact : Gold

APPLICATIONS

MIL-STD-348, MIL-PRF-39012

Notes :

- 1) A 1.5" piece of Raychem ATUM heat shrink P/N ATUM-12/3-0 provided with connector for purpose of strain relief & moisture protection.
- 2) Please refer to T-111082 Termination Instruction sheet for strip dimensions & instructions.