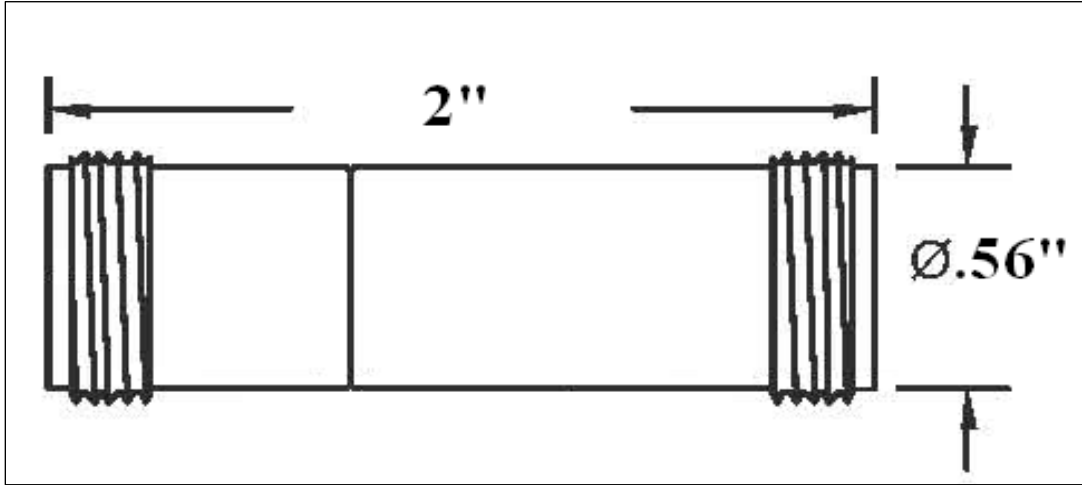


<b>PIC Wire &amp; Cable</b> <i>A Division of the Angelus Corporation</i> Ph 262-246-0500 Fax 262-246-0450 PO Box 330 Sussex, WI 53089	<b>Connector Specification</b>	<b>110613</b>
	Approved <i>MET</i>	Date 07/20/10
	Distribution : USER	Rev. 1 (06/20/13) Uncontrolled Document

**N Jack to Jack Adapter**



**PERFORMANCE**

Nominal Impedance	50 Ohms
Frequency Range	0 - 18 GHz
VSWR	1.25:1 Max
Temperature Range	-65°C to 125°C

**CONNECTOR WEIGHT (Each)**

1.98 ounces (56.25 grams)

**RoHS COMPLIANT**

Complies to RoHS standards

**CONSTRUCTION**

**Materials:**

Body	Stainless Steel
Conductors	Beryllium Copper, ASTM-B196

**Finish :**

Body	Passivated
Conductors	Gold

*Applicable Standards*    Mil-Std 348