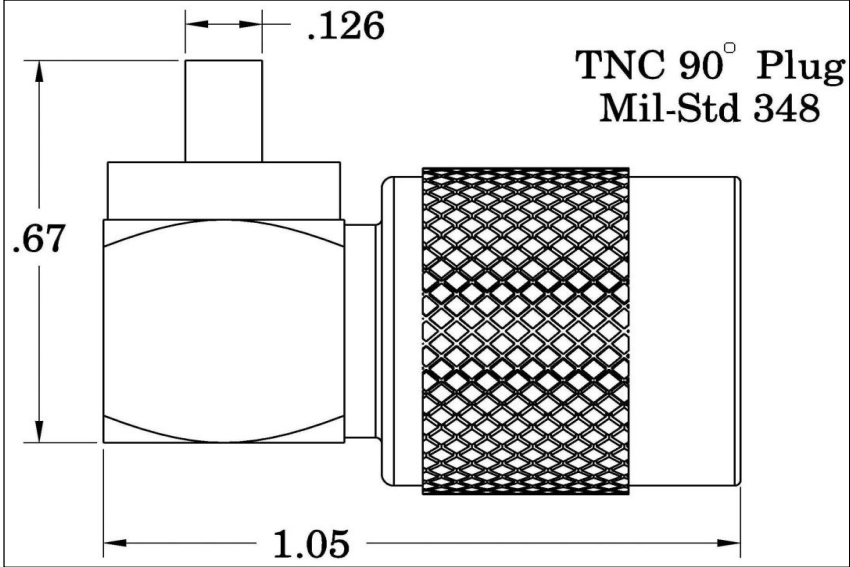


PIC Wire & Cable <i>A Division of the Angelus Corporation</i> Ph 262-246-0500 Fax 262-246-0450 PO Box 330 Sussex, WI 53089	Connector Specification	110414
	Approved <i>MCT</i>	Date 08/05/09
	Distribution : USER	Rev. 1 (06/25/13) Uncontrolled Document

TNC 90° Plug
for S40501



PERFORMANCE

Nominal Impedance	50 Ohms
Frequency Range	0 - 11 GHz
Voltage Rating	500 VRMS
Insulation Resistance	5000 Megohms

CONNECTOR WEIGHT (Each)

.792 ounces (22.45 grams)

RoHS COMPLIANT

Complies to RoHS Standards

CONSTRUCTION

Materials:

Body	Brass, ASTM-B16, Alloy UNS 36000, H02
Center Contact	Brass, ASTM-B16, Alloy UNS 36000, H02
Dielectric	TFE Fluorocarbon, ASTM-D1710, Type 1, Grade 1

Finish :

Body, Ferrule	Nickel
Center Contact	Gold

Applicable Standards

MIL-STD 348
MIL-PRF-39012

Notes :

1) Please refer to T-110414 Termination Instruction sheet for strip dimensions & instructions.