

PIC Wire & Cable

A Division of the Angelus Corporation

Ph 262-246-0500

Fax 262-246-0450

PO Box 330 Sussex, WI 53089

Connector Specification

110211

Approved

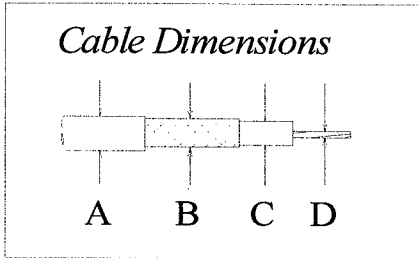
Date 06/08/09

Rev. 0

Distribution : USER

F Straight Plug for V75268 / V76261 / V73263 / L7626TX

Cable Dimensions



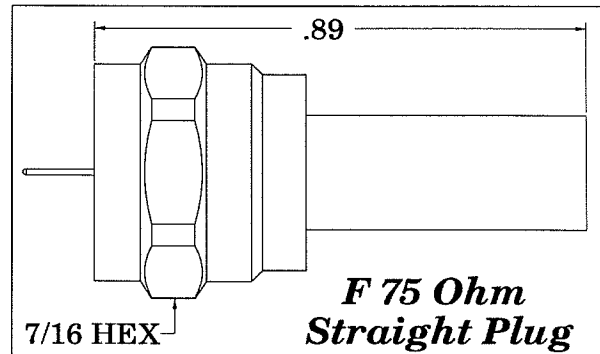
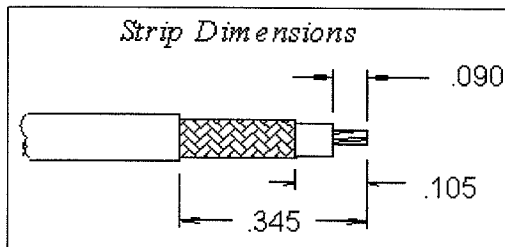
CABLE DIMENSIONS

A Jacket (overall) O.D.	.122 / .125 / .157
B Over-shields O.D.	.102 / .107 / .138
C Dielectric O.D.	.086
D Center conductor O.D.	.019

PERFORMANCE

Nominal Impedance	75 Ohms
Frequency Range	0 - 2 GHz

Strip Dimensions



CONSTRUCTION

Materials:

Body	Brass, ASTM-B16, H02
Center Contact	Brass, ASTM-B16, H02
Ferrule	Brass, ASTM-B16, H02
Dielectric	PTFE Fluorocarbon, ASTM-D1710

Finish :

Body, Ferrule	Tin
Center Contact	Tin

INSTALLATION

Crimp Tooling:

Center Contact	M22520 / 2 - 01 Tool, Selector Dial @ # 4 Recommended Positioner : Daniels p/n K850
Crimp Ferrule	M22520 / 5 - 01 Tool, M22520/ 5-41 Hex Crimp Die (.178 hex)

Includes Raychem ATUM 8/2 x 1.5" Lg. Dual-Wall Shrink Tube

CONFIDENTIAL/PROPRIETARY: NEITHER THIS SPECIFICATION, NOR A PRODUCT OF THIS SPECIFICATION SHALL BE USED, COPIED, REPRODUCED OR DISCLOSED IN WHOLE OR IN PART WITHOUT THE WRITTEN CONSENT OF PIC WIRE & CABLE.