
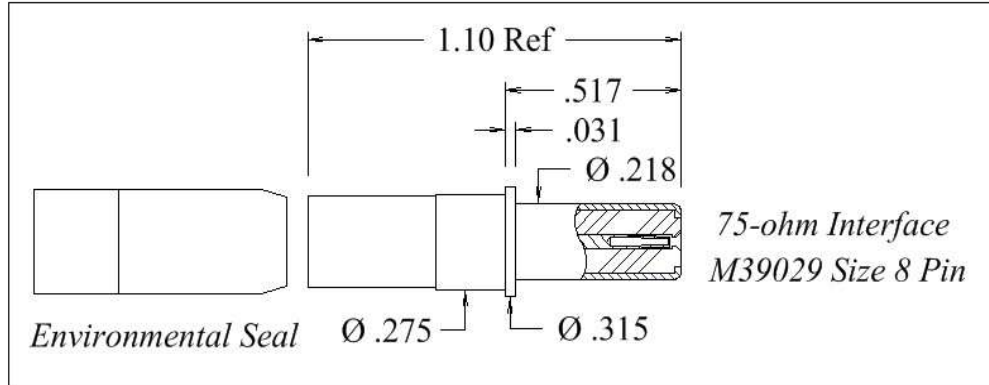


<b>PIC Wire &amp; Cable</b>	<b>Connector Specification</b>	<b>P/N 190940-01</b>
<i>A Division of the Angelus Corporation</i> Ph (262) 246-0500 Fax (262) 246-0450 www.picwire.com PO Box 330 Sussex, WI 53089	Approved : 	Date : 05/19/10
	Distribution : USER	Rev : 5 (09/19/18)
		Uncontrolled if Printed

**M39029 Size 8 Coaxial Pin Contact, \*75 Ohm, w/ Environmental Seal**  
*For PIC Coax Cable P/N V78209*



**PERFORMANCE**

Nominal Impedance	75 Ohms
Frequency Range	0 - 4 GHz
Voltage Rating	750 V(rms)
Insulation Resistance	5000 Megohms
Dielectric Withstanding Voltage	1300 V(rms)
VSWR (max)	1.3:1
Insertion Loss (max)	0.3 dB

**CONNECTOR WEIGHT (Each)**

0.14 ounces (3.79 grams)

**RoHS COMPLIANT**

Complies to RoHS Standards

**INSTALLATION (Tooling)**

**Center Contact**

M22520 / 1 - 01 Tool,  
Selector Dial @ # 4  
Recommended Positioner :  
PIC # 110657 (Daniels # TP1681)

**Crimp Ferrule**

M22520 / 5 - 01 Tool, with  
M22520 / 5 - 45 Hex Crimp Die,  
cavity A (.231" hex)

**CONSTRUCTION**

**Materials:**

Body	Brass, ASTM-B16, Alloy UNS 36000, H02
Center Contact	Beryllium Copper, ASTM-B196, Alloy UNS C17300
Ferrule	Brass, ASTM-B16, Alloy UNS 36000, Dead Soft,
Dielectric	TFE Fluorocarbon, ASTM-D1710, Type 1, Grade 1
Environmental Seal	Thermoplastic & Elastomer

**Finish :**

Body, Ferrule	Gold
Center Contact	Gold

**APPLICATIONS**

MIL-DTL-38999, Series I, III, IV  
SAE-AS39029/60

**Notes :**

- 1) Please refer to T-1909XX Termination Instruction sheet for strip dimensions & instructions.
- 2) Removal Tool P/N MIL-I-81969/14-12

**\* Approved for use ONLY with mating 75 Ohm Interface contacts listed below :**  
**PIC # 190741, 190741-01,**  
**PIC # 190941, 190941-01**